

1. Product description

The devices are transmodulators with two DVB-S/S2/S2X (tdq420C, tdq420), DVB-T/T2/C (ttq420C, ttq420) input channels and two DVB-C/J.83B output channels. The devices are designed for digital transmodulation with Transport Stream Processing of TV or Radio programmes issued from FTA (Free to air) or encrypted digital reception; in case of encrypted signal, the CAM (Conditional access module) containing the operator's smart card must be fitted in the slot. Modules processor enables, services filtering, modifying SI (Service Information), generating NIT (Network Information table), LCN (Local Channel Number), restamping PCR (Program Clock Reference). All of the configurations can be changed by using the Web Interface.

tdq420C – transmodulator with two DVB-S/S2/S2X input channels and two DVB-C/J.83B output channels with two CAMs.

ttq420C – transmodulator with two DVB-T/T2/C input channels and two DVB-C/J.83B output channels with two CAMs.

tdq420 – transmodulator with two DVB-S/S2/S2X input channels and two DVB-C/J.83B output channels.

ttq420 – transmodulator with two DVB-T/T2/C input channels and two DVB-C/J.83B output channels.

Transmodulators can be used as stand alone devices.

The products are intended for indoor usage only.

2. Safety instructions

Installation of the transmodulator must be done according IEC60728-11 and national safety standards.

Any repairs must be made by qualified personnel.

Do not expose this transmodulator to moisture or splashing water and make sure no objects filled with liquids, such as vases, are placed near or on the unit.

Avoid placing the transmodulator next to heat sources such as central heating components or in areas of high humidity.


Keep the transmodulator away from naked flames.

If the transmodulator has been kept in cold conditions for a long time, bringing it into a warm environment may cause condensation, so allow it to warm up for no less than 2 hours before powering.


Ventilation should not be impeded by covering the transmodulator, such as newspapers, table-cloths, curtains etc.

Mount the transmodulator in a vertical position only. If installing in a 19" rack system additional forced air cooling fans may be required (see table "Technical specifications" - operating temperature range).

Always allow 10 cm of free space from the top, front and bottom of the unit to enable any heat to be dissipated.

 This product complies with the relevant clauses of the European Directive 2002/96/EC. The unit must be recycled or discarded according to applicable local and national regulations.

 Equipment intended for indoor usage only.

 This product is in accordance to following norms of EU: EMC norm EN50083-2, safety norm EN IEC62368-1, RoHS norm EN50581.

 This product is in accordance with Custom Union Technical Regulations: "Electromagnetic compatibility of technical equipment" CU TR 020/2011, "On safety of low-voltage equipment" CU TR 004/2011.

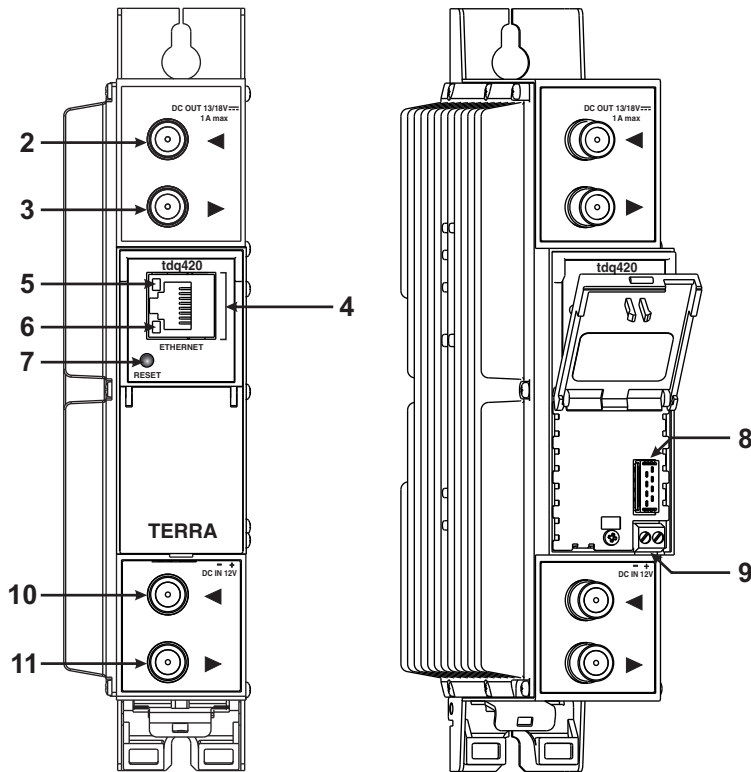
 This product is in accordance with safety standard AS/NZS 60065 and EMC standards of Australia.

Manual in .pdf



3. External view

tdq420



1 - CA modules slots. Double PCMCIA sockets (tdq420C, ttq420C).

1.1 - first module CAM 1

1.2 - second module CAM 2

2 - ◀ - RF input of SAT IF signal, DC output for LNB (tdq420C, tdq420);

RF input of terrestrial, cable signal, DC output for preamplifier (ttq420C, ttq420). F socket.

3 - ▶ - RF output (input signal loop-through). F socket.

4 - **ETHERNET** - control Ethernet interface. RJ45 socket.

5 - **ACTIVITY** (yellow) indicator of the control Ethernet interface.

6 - **LINK** (green) indicator of the control Ethernet interface.

7 - **RESET** and default IP button.

Press button for more than three seconds to set default IP address of the control Ethernet interface. Ethernet led indicators "activity" [5] and "link" [6] will start to toggle to inform, that the reset IP address request has been accepted. Device will be restarted with default IP address. To restore all parameters to default values (including password), keep pressing the button for additional 4 seconds. The green (link) indicator will start blinking after that time indicating, that a "restore defaults" command has been accepted. Now the button can be released. Yellow (activity) indicator will light on while resetting parameters. After that device will restart with all default values.

8 - Power distribution bus connector.

9 - +12 V DC powering input. Screw terminal.

10 - RF input (output signal loop-through). F socket.

11 - RF output. F socket.

tdq420C

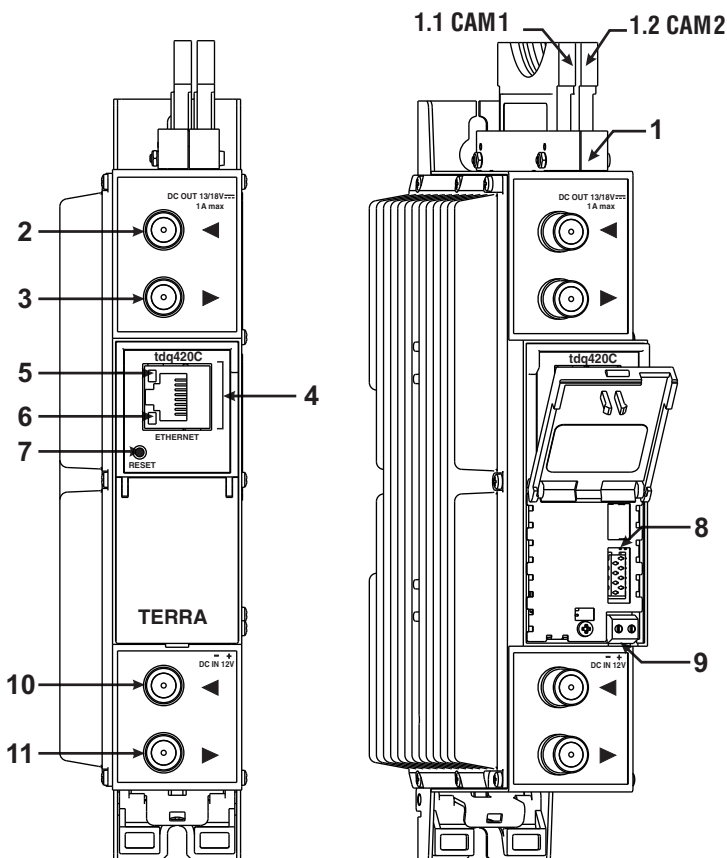


Figure 1. External view of the transmodulators

4. Installation instructions

Read the safety instruction first.

All settings can be changed using the web browser via control Ethernet interface.

Disconnect power supply unit from the mains before making any changes in the connections of the module. Fasten the module on DIN RAIL or individual holder. Connect all necessary RF, powering and control cables. Shielded Ethernet cable is recommended.

Connect the 75 Ω load to the unused RF output F sockets.

Insert CA modules.

Connect power supply in to the mains.

Within 5-40 seconds of powering the module will run in normal operation mode.

Comments of the front panel indicators:

if the link with the control Ethernet interface is established - the LINK [6] indicator glows;

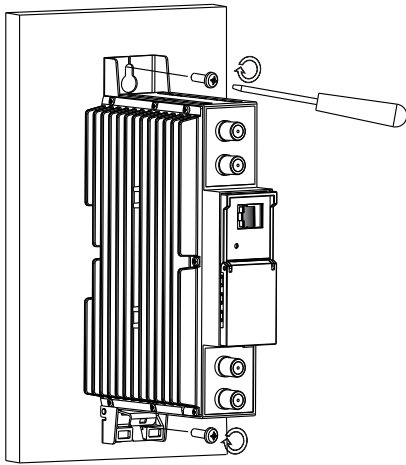
the ACTIVITY [5] indicator blinks, if communication via the control Ethernet interface is active.

5. MOUNTING

The module or mounting bracket must be fixed with steel screws Ø 3.5-4 mm. The screws are not included in a package.

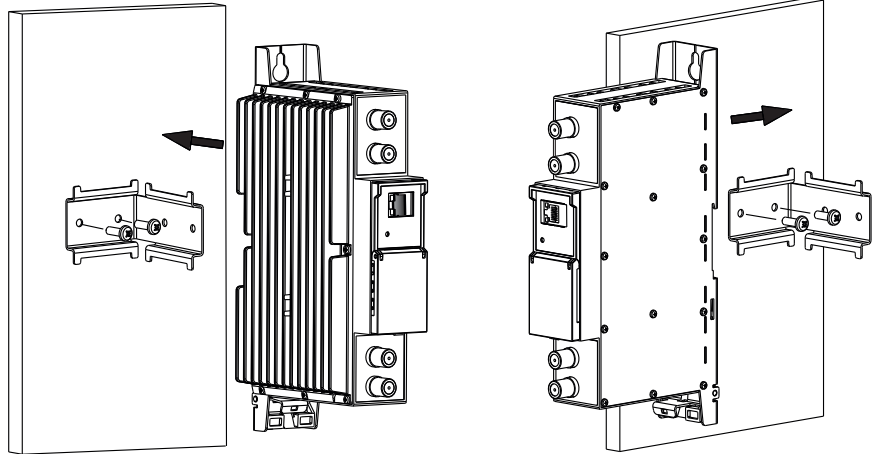
Mounting bracket on DIN rail should be connected to main potential equalization bus.

Mounting on a wall by screws



Perpendicular to the wall


Mounting on a bracket (supplied)



Parallel to the wall

Figure 2. Mounting of the transmodulator

Requirements for external power supply unit

- Output voltage $+12\text{ V} \pm 0.5\text{ V}$
- Ripple at single and/or double mains frequency $< 10\text{ mV p-p}$
- Ripple & noise $< 100\text{ mV p-p}$
- Short circuit protection
- Double insulated (marked )
- Meet EN 55022 class B conducted emissions requirements, measuring with grounded load

Package contents

- 1. Transmodulator 1 pcs.
- 2. Holder 1 pcs.
- 3. Spacer 1 pcs.
- 4. 75 Ω terminator 1 pcs.
- 5. Bridge F quick to F quick 1 pcs.
- 6. User manual 1 pcs.

Mounting on DIN rail

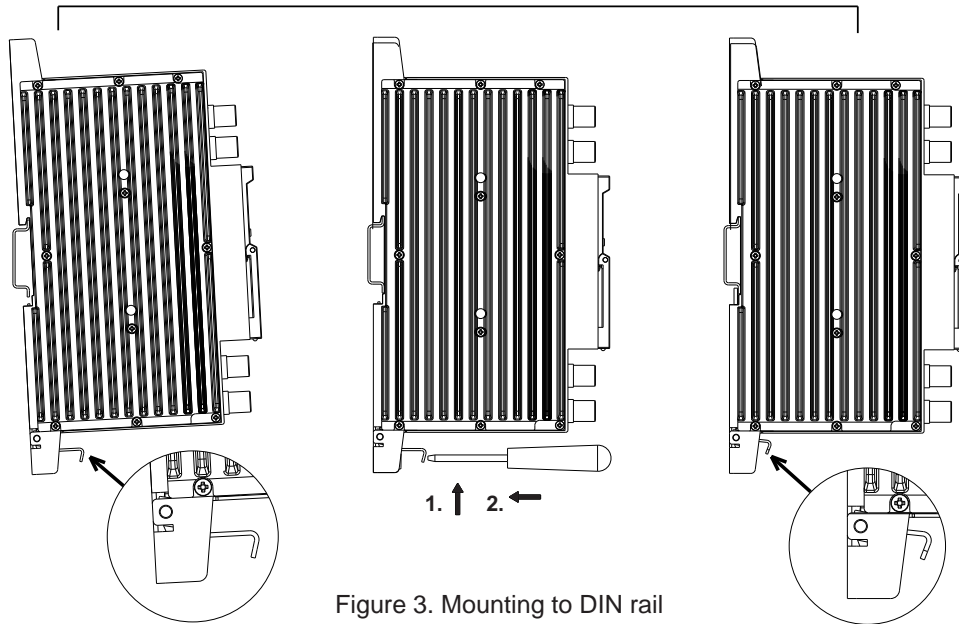


Figure 3. Mounting to DIN rail

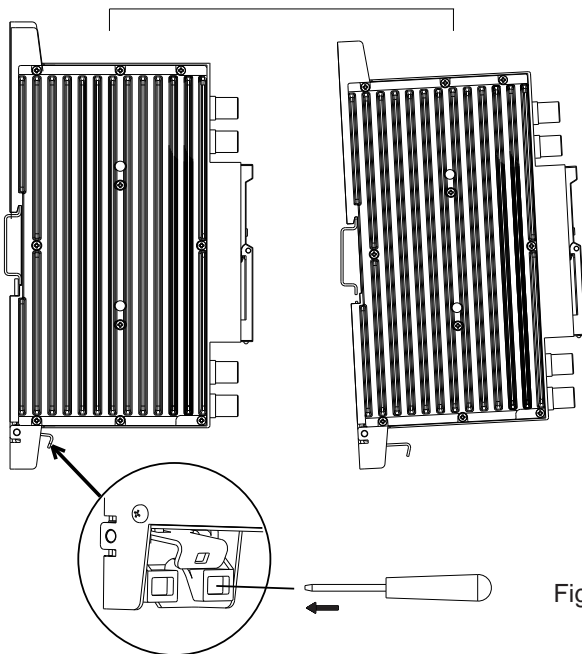


Figure 4. Mounting from DIN rail

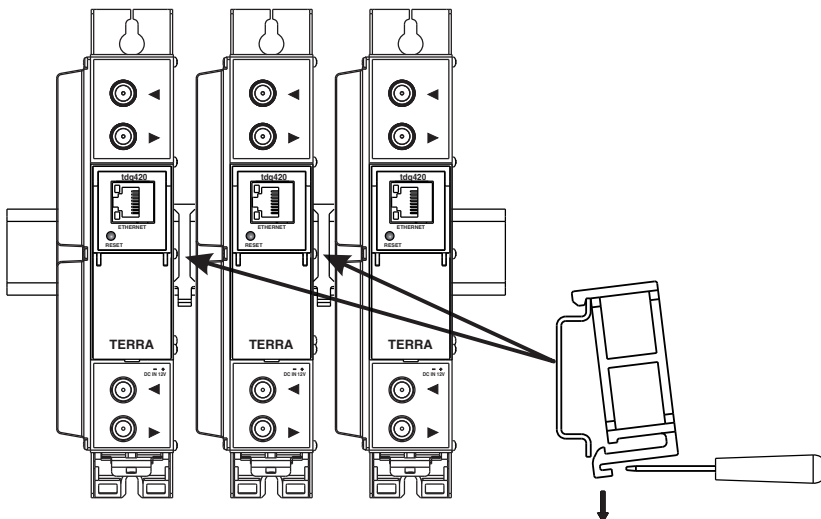


Figure 5. Mounting or removing to/from DIN rail of plastic spacers (supplied).

6. Operating

6.1 Initial configuration

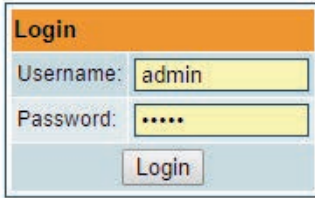
All modules leave the factory with this control over Ethernet interface IP address: 192.168.1.10. In order to avoid conflicts with other IP addresses, it is necessary to perform an initial configuration in the local mode. Subsequently, it will be possible to access the module via local area network (LAN), either to change the configuration or to check the operating status.

The modules leave the factory with the following control over Ethernet interface TCP/IP configuration:

IP address of the module: **192.168.1.10**

Subnet mask: **255.255.255.0**

Default Gateway: **192.168.1.1**



Login	
Username:	admin
Password:
<input type="button" value="Login"/>	

To access each module, use a personal computer (PC) equipped with an Ethernet card and RJ-45 cable (CAT-5E or CAT-6). The IP address of the PC/MAC must be configured within the following range: 192.168.1.2 - 192.168.1.254 (do not use 192.168.1.10, since this is the IP address of the module to be configured). To start the configuration of the module, open your web browser and type in the following direction: http://192.168.1.10. The login prompt will appear on the screen (see Figure 6).

Figure 6. Login window

Access to the module is protected by user name and password. The default user name and password is **admin**. Enter the user name and password and click on "**Login**" button.

NOTE*: the default password - **admin** - can (and must) be changed as explained in the section **6.11.5 "User management"**. During initial configuration you need to change the default control interface TCP/IP configuration as explained in the section **6.8 "IP settings"**.

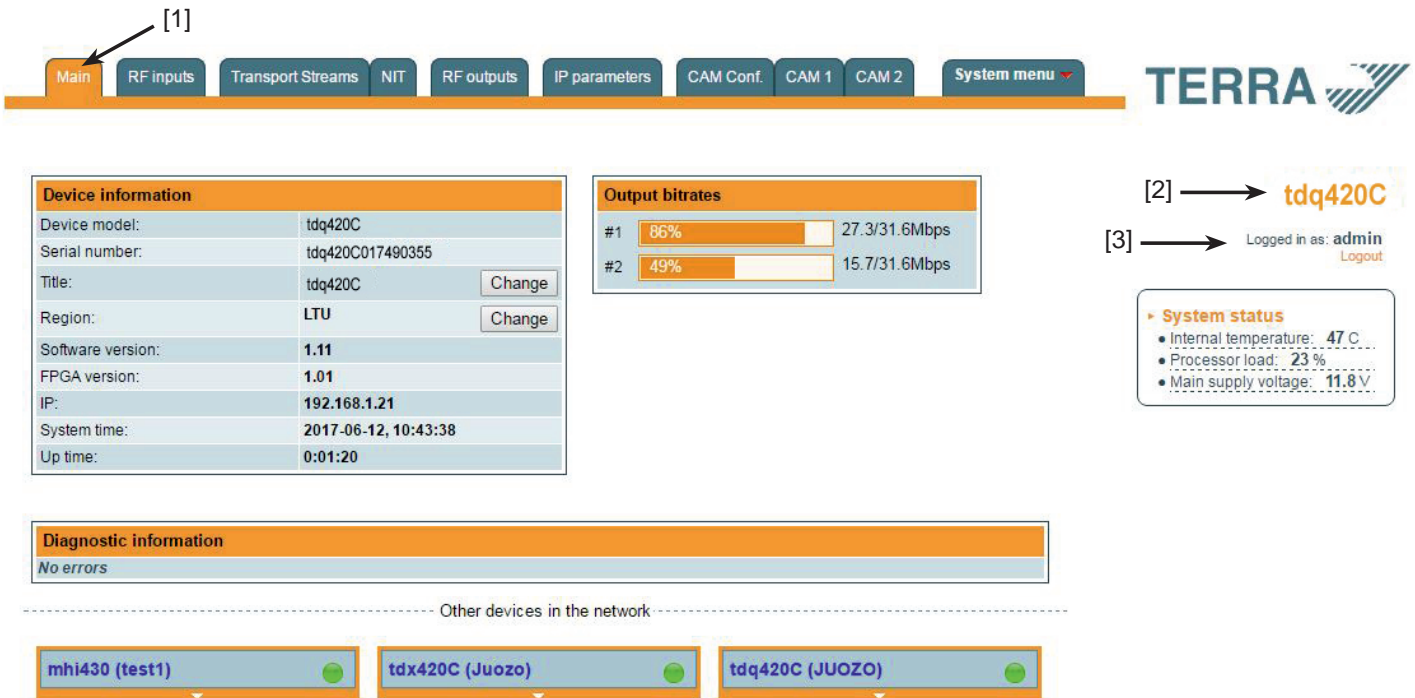
NOTE**: If you are using Internet Explorer Web browser, supported versions are version 10 or higher.

Control interface IP address reset to default procedure: press the "**RESET**" [7] button for more than 3 seconds and release it. After this operation the control interface IP address will be set to **192.168.1.10**, for more information see section **6.8**.

6.2 General configuration

Initial Web interface screen

The first screen that appears when the module accessed is the "Main" window, which gives general information on the device.



[1] points to the Main menu tabs: Main, RF inputs, Transport Streams, NIT, RF outputs, IP parameters, CAM Conf., CAM 1, CAM 2, System menu.

[2] points to the module title: **tdq420C**

[3] points to the login information: Logged in as: **admin**, Logout

Device information	
Device model:	tdq420C
Serial number:	tdq420C017490355
Title:	tdq420C <input type="button" value="Change"/>
Region:	LTU <input type="button" value="Change"/>
Software version:	1.11
FPGA version:	1.01
IP:	192.168.1.21
System time:	2017-06-12, 10:43:38
Up time:	0:01:20

Output bitrates	
#1	86% 27.3/31.6Mbps
#2	49% 15.7/31.6Mbps

System status

- Internal temperature: 47 C...
- Processor load: 23 %
- Main supply voltage: 11.8 V

Other devices in the network

mhi430 (test1)	tdx420C (Juozo)	tdq420C (JUOZO)
----------------	-----------------	-----------------

Figure 7. General information screen

In the top of each configuration screen you will see a main menu tabs [1]. Using it, you can switch between the different configuration menu. The tab highlighted in yellow shows which menu is active at a given moment. The "System menu" tab contains several submenu items. Also common elements for all screens are module title [2] and login information strings [3]. The module title can be changed after pressing the "Change" button in the "Device information" table. Pressing on the "Logout" string you can logout from module control.

Device information table

This shows the following data of module:

“Device model”: model of the module.

“Serial number”: serial number of the module.

“Software version”: module software version number.

“System time”: current time, synchronized from the TDT table of the input stream or NTP server. Local time offset can be selected in the "IP settings" tab, see section **6.8 "IP settings"**.

“Up time”: time passed from last power-up or restart of the module.

Output bitrates table

It displays the output bitrate status of each channel in real time, Horizontal bar shows the percentage of used available bandwidth in the channel. The 1st number right to the bar shows actual bitrate in Mbps. Next number shows maximum allowed bitrate in the channel and it depends on modulation parameters. Ensure that actual bitrate would not reach more than 95% of available bandwidth. Otherwise bitrate overflow may occur.

System status table

It represents the following parameters at real time: Processor load in percents, internal temperature in degrees of Celsius, power voltage in Volts.

Other device in the network

If there are any modules in the network their status and diagnostic information will be displayed as it is in Figure 7 "General information screen". If modules status is red press the down arrow and diagnostic errors will be displayed. Make sure, that Ethernet router is configured properly to pass SSDP packets (239.255.255.250:1900 and 239.255.255.246:7900). Also make sure that all modules are connected to the same Ethernet network

Diagnostic information table

It displays all module errors and comments how to eliminate them.

Diagnostic information	
Demodulator 2 unlocked	
Demodulator 1 unlocked	

Figure 8. Diagnostic information table with errors

6.3 RF inputs

Input 1	
Source type	DiSEqC
LNB LO frequency	9750 MHz
LNB HI frequency	10600 MHz
Polarization	Horizontal
Satellite	Satellite A
Update	

Figure 9. "Input 1" table (DVB-S/S2/S2X input only)

Input 1	
Source type	dSCR
Configure Terra dSCR system	
SCR/dSCR mode	<input type="radio"/> Master <input checked="" type="radio"/> Slave
Master IP address	192.168.1.10
LNB LO frequency	9750 MHz
LNB HI frequency	10600 MHz
Update	

Figure 10. "Input 1" table "Source types = dSCR"

The Figure 9 "Input 1" table in modules with DVB-S/S2/S2X input consists of the following parameters:

"LNB LO frequency" - the LNB local oscillator lower frequency in megahertz. Use 9750 MHz for the universal converter.

"LNB HI frequency" - the LNB local oscillator upper frequency in megahertz. Use 10600 MHz for the universal converter.

"LNB Power" - power supply of the converter – can be set to "0", "13V", "18V", "13V/22kHz", "18V/22kHz".

"Polarization" - the polarization of converter. Can be "Horizontal" or "Vertical".

"Source type" - the LNB types, there are several: Universal, Quadro, DiSEqC, dSCR EN50607, SCR EN50494 - see Figures 9, 10.

Input 1	
Source type	SCR
SCR/dSCR mode	<input type="radio"/> Master <input checked="" type="radio"/> Slave
IP address	192.168.1.20
LNB LO frequency	9750 MHz
LNB HI frequency	10600 MHz
LNB UB 1	1210 MHz
LNB UB 2	1420 MHz
LNB UB 3	1680 MHz
LNB UB 4	2040 MHz
LNB UB 5	1284 MHz
LNB UB 6	1516 MHz
LNB UB 7	1632 MHz
LNB UB 8	1748 MHz
Update	

“Universal LNB” - power supply voltage of the converter is chosen according to the selected polarization – 18 V Horizontal, 13 V Vertical; the 22 kHz is set depending on given "LNB HI frequency" "LNB LO frequency" and "Input frequency" parameters.

For example:

LNB Hi=10,600, LNB Lo=9750, then $F=(950+10,600+2150+9750)/2=11,725$ MHz.

“DiSEqC” - then DiSEqC commands are used to select the satellite. Possible commands: “Satellite A”, “Satellite B”, “Satellite C”, “Satellite D”, Vertical or Horizontal polarization.

“dSCR” – first select source type as shown in Figure 10, then select “dSCR/SCR mode” Master or Slave (Master for module which has direct connection to Unicable multiswitch or LNB and Slave for modules connected by loop through). If Slave was selected, additionally type the IP address of Master module. All the modules in the dSCR/SCR group must be in the same Ethernet network. Next select "SAT input" and "User band", type in frequencies, symbol rate press “Update” button and observe "dSCR" status.

“SCR” - same as "dSCR", just the user band frequencies must be typed in manually as shown in Figure 11.

Figure 11. "Input 1" table "Source types = SCR"

	Title	SAT input	User band	DVB-S2 options	Input frequency, MHz	Symbol rate, Ks/s
Demod. 1		Off	Off	Configure	11600	23000
Demod. 2		Off	Off	Configure	11600	23000
Update						

Figure 12. Demodulator settings table (DVB-S/S2/S2X input only)

The Figure 12 "Demodulator settings table" in modules with DVB-S/S2/S2X input consists of the following parameters:

„SAT input“ - A parameter that can switch demodulator off or connect to any available RF input (Figure 13).

“User band” - parameter used in dSCR/SCR Switches.

„Input frequency“ - parameter is a frequency of transponder in MHz.

„Symbol rate“ - parameter is a symbol rate of transponder in kSym/s.

SAT input

SAT A H/Lo ▾

Off

SAT A V/Lo

SAT A V/Hi

SAT A H/Lo

SAT A H/Hi

Figure 13. SAT input (DVB-S/S2/S2X input only)

For advanced "DVB-S2 options", press "Configure" link and "Advanced DVB-S2 parameters" will be displayed, see Figure 14.

"PLS" - Physical Layer Scrambling used in DVB-S2 as a way to improve data integrity. A number called the "scrambling sequence index" is used by the modulator as a master key to generate the uplink signal. This same number must be known by the receiver so that demodulation would be possible.

PLS mode - "Root" or "Gold".

Stream - parameter needed for multistream transponders.

NOTE: If advanced parameters is not needed make sure to leave them as shown in Figure 14.

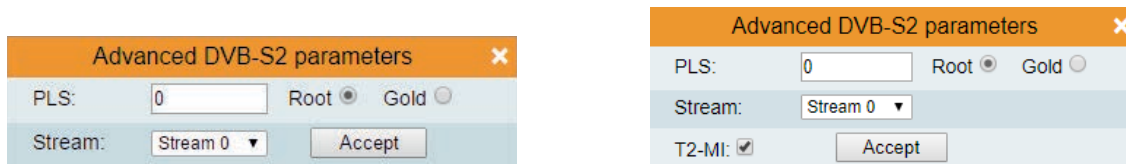
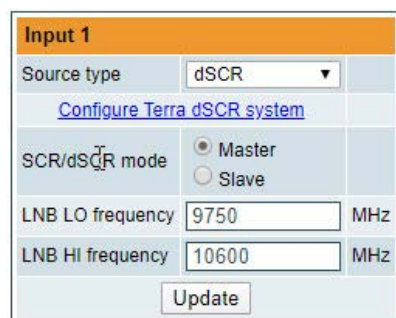


Figure 14. "Advanced DVB-S2 parameters" tables (T2-MI deencapsulation is supported only in M.1 version)

NOTE: De-encapsulation of up to 2x T2-MI streams, the total streams bitrate must not exceed 50 Mbit/s.

New Feature "Configure TERRA dSCR system"



Before starting configuration please make sure that all multiswitches are connected to module via splitter that lets DC through in both directions!

Press "Configure Terra dSCR system" and wait while the device scans all available multiswitches. After scan finishes serial numbers and configuration will be displayed (Figure 16).

Select "Total bands" count and SAT position (Figure 17).

Press "Configure" if you are using wideband multiswitches you will be able to change the heterodyne frequency (Figure 18).

NOTE: Be aware when changing user band count you are also changing the maximum bandwidth of transponder that you will be receiving.

Figure 15. "Input 1" table "Source types = dSCR"

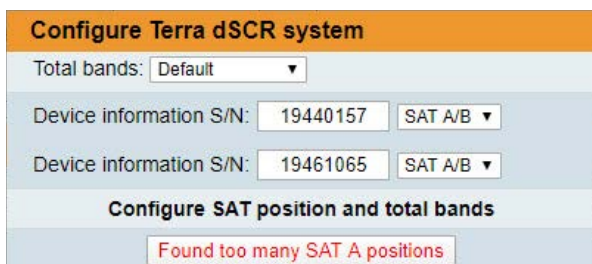


Figure 16. Table "Configure SAT positions and total bands"

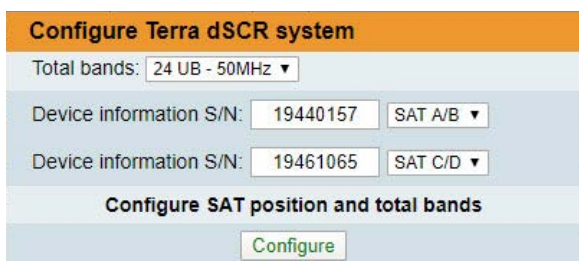


Figure 17. Table "Configure SAT positions and total bands"

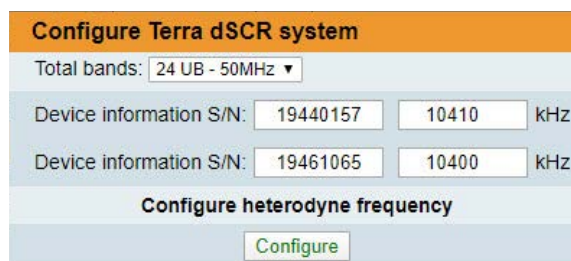


Figure 18. Table "Configure heterodyne frequency"

The Figure 19 "Demodulator settings table" in modules with DVB-T/T2/C input consists of following parameters: "Modulation standard" - used to select from the "DVB-T/T2" and "DVB-C" modulation standards. "Preamplifier power" - used to switch on/off the power for the RF preamplifier. "Input bandwidth" - the bandwidth of DVB-T/T2 transponder. Can be selected from values 8 MHz and 7 MHz. "Input frequency" – the frequency of the terrestrial or cable transponder in MHz. Frequency step is 0.1 MHz. When the tuner is locked to the DVB-T2 transponder with multi PLP modulation, the additional parameter "PLP number" is displayed in the "RF input" table. When the "Modulation standard" is set to DVB-C, the „Preamplifier power" parameter is disabled and power for the RF preamplifier is switched off; the "Input bandwidth" parameter is disabled and the "Symbol rate" parameter is enabled. Enter the value in kilo symbols per second.

	Enable	Modulation standard	Preamplifier power	Input bandwidth	Symbol rate	Input frequency	PLP number
Demod. 1	<input checked="" type="checkbox"/>	DVB-T/T2 ▼	Off ▼	8MHz ▼	6875	658.0 Manual ▼	0 ▼
Demod. 2	<input checked="" type="checkbox"/>	DVB-T/T2 ▼	Off ▼	8MHz ▼	6875	666.0 Manual ▼	0 ▼
Update							

Figure 19. Demodulator settings table (DVB-T/T2/C input only)

Press „Update“ button to set new parameters

Input status table

<p>► dSCR:</p> <ul style="list-style-type: none"> • Status: No response • Total bands: 0 • Used bands: 0 	
<p>► Demod. 1 status</p> <ul style="list-style-type: none"> • Lock status: Unlocked • Modulation standard: - • RF level: 84 dBuV • Modulation: - • FEC: - • SNR: 0.0 dB • VBER: - • PER: - • Input bitrate: 0 kbps 	
<p>► Demod. 2 status</p> <ul style="list-style-type: none"> • Lock status: Inactive • Modulation standard: - • RF level: <45 dBuV • Modulation: - • FEC: - • SNR: -1.0 dB • VBER: - • PER: - • Input bitrate: 0 kbps 	

The following information is displayed in the table "Input status":

"RF level" - RF signal level at the module input. Level indication - approximate.

The values of the following parameters are displayed only if the module has synchronized with the input signal.

"Modulation standard" - detected standard of the input signal. Possible values of the standard: DVB-S, DVB-S2, DVB-S2X, DVB-T, DVB-T2, DVB-C

"Frequency" - intermediate frequency (for DVB-S/S2/S2X) or RF frequency (for DVB-T/T2/C) at the module input.

"Modulation" - modulation scheme of the input signal. Possible values of the modulation scheme: QPSK, 8PSK, 16APSK, 32APSK (for DVB-S/S2/S2X) QPSK, QAM16, QAM32, QAM64, QAM128, QAM256 (for DVB-T/T2/C).

"Modulation mode" - OFDM modulation mode of the input signal (for DVB-T/T2/C) Values: 8k or 2k.

"FEC" - forward error correction.

"Guard interval" - guard interval of OFDM signal (for DVB-T/T2/C).

"Symbol rate" - the symbol rate of the satellite transponder in kilo symbols per second (tdq420C only).

"SNR" - RF signal/noise ratio at the input of module.

"VBER" - bit error rate after Viterbi corrector. To get the signal without any errors at the output of the tuner, VBER shall not exceed 2E-4.

"PER" - ratio of the MPEG2 transport error packets to the whole number of packets. If the number of error packet is equal to zero, the opposite value to whole number of packets is displayed. Packet counters are reset during RF input parameters update.

"Input bitrate" - bitrate of the input signal.

Figure 20. Status table (for DVB-S/S2/S2X)

6.4. Transport Streams

One channel at a time can be configured in this page. Select proper channel from the list at „Choose input channel“ combobox (see Figure 21 "Transport streams page").

Choose input channel
Demod. 2 Transparent mode

List of services

Service title	Bitrate	LCN	Service ID	Descramble	Enable
<input checked="" type="checkbox"/> Nat Geo Wild HD	6.8 Mbps	<input type="text" value="0"/>	118	<input type="checkbox"/>	Output 1 <input type="text" value="v"/>
<input checked="" type="checkbox"/> Sky Sport 1 HD	16.5 Mbps	<input type="text" value="0"/>	129	<input type="checkbox"/>	Off <input type="text" value="v"/>
<input checked="" type="checkbox"/> Discovery HD	9.8 Mbps	<input type="text" value="0"/>	130	<input type="checkbox"/>	Off <input type="text" value="v"/>
<input checked="" type="checkbox"/> Sky Cinema HD	5.4 Mbps	<input type="text" value="0"/>	131	<input type="checkbox"/>	Off <input type="text" value="v"/>
<input checked="" type="checkbox"/> TNT Film (TCM)	2.7 Mbps	<input type="text" value="0"/>	405	<input type="checkbox"/>	Off <input type="text" value="v"/>
<input checked="" type="checkbox"/> Sky 1	2.6 Mbps	<input type="text" value="0"/>	408	<input type="checkbox"/>	Off <input type="text" value="v"/>
<input type="checkbox"/> Sky Sport 3 HD	0.0 Mbps	<input type="text" value="0"/>	268	<input type="checkbox"/>	Off <input type="text" value="v"/>
<input type="checkbox"/> Eurosport360HD 1	0.0 Mbps	<input type="text" value="0"/>	270	<input type="checkbox"/>	Output 1 <input type="text" value="v"/>
<input type="checkbox"/> Sky Sport Bundesliga 2 HD	0.0 Mbps	<input type="text" value="0"/>	267	<input type="checkbox"/>	Off <input type="text" value="v"/>

Select all to channel 1
 Select all to channel 2

Figure 21. Transport streams page

A list of services in the selected channel will appear. „List of services“ table shows a list of available services. Icon before the service name indicates service type. Bitrate of each service is measured in real time. Services that currently are not running will be displayed as grayed. They can be selected and will be outputted normally when the services starts to running. „LCN“ field is a Logical Channel Number. Every service can have a „channel number“ and TV will sort channels according to it. Just ensure, that all services in all channels have different numbers. Value 0 means, that LCN for that service is not used at all and TV will sort these channels according to it's own rules. If channel numbers are added, but TV does not recognize it, check the following:

- If TV supports LCN?
- If Network ID and Original Network ID values are valid for the country, which is selected on TV?

„Enable“ dropbox enables the service to the selected output.

„Descramble“ checkbox enables or disables descrambling.

Press onto „+“ sign and service information will be extended (see Figure 22 "Service details").

Service title:	ServusTV HD Oesterreich	New service title:	<input type="text" value="ServusTV HD Oesterreich"/>
Service provider:	ServusTV	New service provider:	<input type="text" value="ServusTV"/>
Service ID:	4913	Scrambled flag:	<input checked="" type="checkbox"/>
PMT PID:	109	Service type:	25 - advanced coc <input type="text" value="v"/>
Private section PID:	92	Enable:	<input checked="" type="checkbox"/>
H.264 Video PID:	3583	Descramble:	<input checked="" type="checkbox"/>
MPEG2 Audio (ger) PID:	3584	Other PID:	<input type="text" value="4913"/>
MPEG2 Audio (eng) PID:	3585	Other PID:	<input type="text" value="109"/>
AC-3 Audio (ger) PID:	3587	Other PID:	<input type="text" value="92"/>
Teletext PID:	3588	Other PID:	<input type="text" value="3583"/>
PCR PID:	3583	Parental control:	<input type="text" value="Off"/>

Figure 22. Service details

„Service title“ and „Service provider“ can be edited (multilanguage character support). „Scrambled flag“ will be inserted into SDT (Service Description Table). Unchecking this checkbox will not descramble the content. It only carries information about the scrambling status of the service. „Descramble“ checkbox enables or disables descrambling.

„Service type“: this is an 8-bit field specifying the type of the service. The assignment of service type value for a Service is described in EN 300 468. It shall be coded according to Figure 23.

„Parental control“: this selection enables ability to restrict certain content viewable by the user. For example, parental control field is set to "Less than 6 years", than all content with maturity rating above 6 years old will be filtered out.

Service type	Description
0	reserved for future use
1	digital television service (see note 1)
2	digital radio sound service (see note 2)
3	Teletext service
4	NVOD reference service (see note 1)
5	NVOD time-shifted service (see note 1)
6	mosaic service
7	FM radio service
8	DVB SRM service [49]
9	reserved for future use
10	advanced codec digital radio sound service
11	H.264/AVC mosaic service
12	data broadcast service
13	reserved for Common Interface Usage (GENELEC EN 50221 [37])
14	RCS Map (see ETSI EN 301 790 [7])
15	RCS FLS (see ETSI EN 301 790 [7])
16	DVB MHP service
17	MPEG-2 HD digital television service
18 to 21	reserved for future use
22	H.264/AVC SD digital television service
23	H.264/AVC SD NVOD time-shifted service
24	H.264/AVC SD NVOD reference service
25	H.264/AVC HD digital television service
26	H.264/AVC HD NVOD time-shifted service
27	H.264/AVC HD NVOD reference service
28	H.264/AVC frame compatible plano-stereoscopic HD digital television service (see note 3)
29	H.264/AVC frame compatible plano-stereoscopic HD NVOD time-shifted service (see note 3)
30	H.264/AVC frame compatible plano-stereoscopic HD NVOD reference service (see note 3)
31	HEVC digital television service (see note 4)
32 to 127	reserved for future use
128 to 254	user defined
255	reserved for future use
<p>NOTE 1: MPEG-2 SD material should use this type.</p> <p>NOTE 2: MPEG-1 Layer 2 audio material should use this type.</p> <p>NOTE 3: For information on the use of these values, see clause I.2.3 and ETSI TS 101 547-2 [54] (3D Guidelines of Frame Compatible 3D-TV).</p> <p>NOTE 4: For information on the use of these values, see clause I.2.5 and ETSI TS 101 547-4 [62].</p>	

Figure 23. Service type coding

Individual streams can be disabled as well. Also PID number can be remapped manually by selecting checkbox "Other PID" (Keep in mind than PID must be unique) otherwise PID remapping is done automatically.

Press onto „Update“ button to save changes and execute.

NOTE: If transparent mode is selected, all services of transponder will be passed to the output, including original PAT, SDT, PMT, EIT, CAT, NIT tables, all changes that were made to these tables will be disregarded. No more than 95% of output bandwidth usage is recommended, otherwise overflow might occur.

6.5. NIT

Several tables related to NIT generation exist in this section. Figure 24 "Global TS parameters" describes following TS parameters:

Figure 24. Global TS parameters

“Network ID”: is unique number within the geographical region defined by the “country code”. For a cable network usually this is a single country code plus 0x2000 (8192). If there are more connected modulators in the network, they must have the same Network ID.

Proper value depending on your country and operator can be found here:

http://www.dvbservices.com/identifiers/network_id?page=1

“Private data specifier (hex)”: can be inserted in the NIT table for proper LCN description. This value is described in TS 101162 specification. NorDig standard requires 00 00 00 29 value, UK should use 00 00 23 3A value.

Other options can be found here:

http://www.dvbservices.com/identifiers/private_data_spec_id?page=1

The parameter will not be inserted into NIT if value is set to zero.

„Network name“ is the name of the network.

The 2nd table in the page describes Transport stream ID and Original network ID of each channel (see Figure 25). Each stream in a network must have unique ID, called „Transport stream ID“. An Original_Network_ID is defined as the “unique identifier of a network”. It can be linked to Network ID or used value from this location:

http://www.dvbservices.com/identifiers/original_network_id?page=1

	RF output parameters	Original network ID	Transport stream ID
Output 1	C21, 8MHz, QAM-64	<input type="text" value="1"/>	<input type="text" value="1"/>
Output 2	C22, 8MHz, QAM-64	<input type="text" value="1"/>	<input type="text" value="2"/>

Figure 25. Transport stream and original network IDs

Description of other streams in the network					
Frequency, MHz	Constellation	Symbol rate	Original network ID	Transport stream ID	
474.0	QAM-64	6875	9018	1	
482.0	QAM-64	6875	9018	2	
<input type="text"/>	<input type="text" value="QAM-64"/> ▾	<input type="text"/>	<input type="text"/>	<input type="text"/>	<input type="button" value="Add"/>

Figure 26. Description of other streams in the network

Every channel in the network must be described in NIT. Otherwise TV automatic channel tuning function will not find all channels. All modules in the network will be monitored via standard SSDP protocol. NIT tables will be regenerated if any change is detected in other modulators with the same Network ID. Make sure, that Ethernet router is configured properly to pass SSDP packets (239.255.255.250:1900 and 239.255.255.246:7900). Also make sure that all modules are connected to the same Ethernet network.

NOTE: If in the RF network exists transponders that are generated by old TERRA transmodulators/modulators, the frequencies and modulation parameters must be filled manually (Figure 26).

6.6. RF outputs

Two adjacent adjacent QAM (DVB-C output) channels can be configured in this section. There is requirement for channels to be adjacent and sorted by frequency, see Figure 23 "RF output settings (DVB-C output)". Each channel can have its own constellation QAM-16/32/64/128/256 (DVB-C output), symbol rate 3500..7200 Mbps. Note, that symbol rates higher than 6956 kSym/s will exceed 8 MHz bandwidth, so these symbol rates should be used carefully.

	Constellation	Symbol rate	Output frequency, MHz (Channel)	Attenuator, dB	Enable
Output 1	QAM-256 ▾	6875	300.0 Man ▾	6 ▾ 0,5 ▾	<input checked="" type="checkbox"/>
Output 2	QAM-256 ▾	6875	308.0 Man ▾	6 ▾ 0,00	<input checked="" type="checkbox"/>
Step			8.0 MHz ▾		

Update

[Select all](#)

Figure 27. RF output settings (DVB-C output)

"Output frequency" parameter can be entered manually or selected as a channel from combobox. Channels that can be selected from the list depend on which region is selected, see the **6.11.10 "Regions"**. If you need any other frequency – select "Manual" and type the needed frequency. Frequency step is 0.1 MHz. „Enable“ checkbox will enable channel to the output. Global attenuator can be entered up to 15 dB. Also there is individual precise attenuator up to 2.5 dB in step of 0.5 dB.

Press „Update“ to change settings. In case, if any modulation parameter was changed, both channels will be restarted with new settings. Exception is „Attenuator“, changes in this parameter will not restart the modulator.

6.7. SNMP settings

Figure 28 "SNMP settings" table is located in "IP parameters" tab.

The description of the SNMP configuration parameters:

"Read Community" - community name acts as a password that is shared by multiple SNMP agents and one or more SNMP managers. "Read Community" password is used for read-only access to the modules parameters.

"Write Community" - is the password used for read-write access to the modules parameters.

"Enable TRAP" - SNMP traps are alerts generated by agents on a managed device. Check this box to enable TRAP generation. The module generates traps when the diagnostic message occurs.

"TRAP Community" - is the password used for accessing of TRAPS.

"Host IP #1", "Host IP #2" "Host IP #3" - IP addresses of hosts with SNMP managers, where TRAPS will be send.

SNMP settings	
Enable TRAP	<input type="checkbox"/>
Trap community	public
Read community	public
Write community	private
Trap IP address 1	0.0.0.0
Trap IP address 2	0.0.0.0
Trap IP address 3	0.0.0.0
Download MIB file	
Update	

Figure 28. "SNMP settings" table

6.8 IP settings

IP parameters	
MAC address	00:1C:A3:00:00:00
IP address	192.168.1.10
Subnet mask	255.255.255.1
Gateway	192.168.1.1
DNS	8.8.4.4
WEB port	80
Update	

Figure 29. IP settings table

All device IP settings can be configured here – IP address, subnet mask, gateway, DNS (Domain Name System), see Figure 29. Starting with software version 1.41, the “WEB port” number can be customized. Default is 80. You must restart the device for the port change to take effect. All other IP parameters will be updated immediately after pressing „Update“ button and redirected to new location.

NOTE: Press the **RESET** and default IP button [7] for more than three seconds to set default IP address of the control Ethernet interface (see Figure 1). Ethernet led indicators "activity" [5] and "link" [6] will start to toggle to inform, that the reset IP address request has been accepted. Device will be restarted with default IP address.

To restore all parameters to default values (including password), keep pressing the button for additional 4 seconds. The green (link) indicator will start blinking after that time indicating, that a “restore defaults” command has been accepted. Now the button can be released. Yellow (activity) indicator will light on while resetting parameters. After that device will restart with all default values.

6.9 E-mail-settings

E-mail settings	
Enable e-mail error report	<input type="checkbox"/>
SMTP server	192.168.1.1
SMTP port	25
Sender e-mail address	no_reply@domain.com
Receiver e-mail address	
Use authentication	<input type="checkbox"/>
Username	admin
Password
Use TLS	<input type="checkbox"/>
Timeout for errors in minutes	5
Send test message	
Update	

Figure 30. E-mail-settings table

The device can send e-mail reports if errors were detected. SMTP protocol is used for that. Figure 30 “E-mail-settings table” shows parameters related to this feature. “Enable e-mail error report” checkbox enables error monitoring. All errors within “timeout” period will be gathered, and send to the e-mail address, provided in “Receiver e-mail address” input box. Comma separated e-mail addresses can be used to send report to multiple addresses. The timer will be started as soon, as the first error is detected, and stopped when e-mail is sent. The timer will be restarted again if a new error will appear.

“Sender e-mail address” can be used as authentication in the SMTP server side.

SSL (SMTPS) protocol is not supported.

6.10 CAM settings

Configuration of CA modules	
CAM settings	Individual CAM-s ▼
CAM position	On input ▼
TS speed to CA module	72.0Mbps ▼
Multi-descramble algorithm	Mode 1 ▼
CAM restart on descrambling error	<input checked="" type="checkbox"/>
Leave CA descriptors in PMT	<input type="checkbox"/>
Update	

Figure 31. Configuration of CA modules

Configuration settings and information about CA modules is split into different tabs. Most important table “Configuration of CA modules” can be found in “CAM conf.” tab. In the "Configuration of CA modules" table CAM restart function in case of descrambling error can be enabled. It is recommended to turn off this option if not activated conditional access card has been inserted. “CAM settings” and “CAM position” parameters changes the flow of TS. Demod.1 and Demod.2 streams can be descrambled separately by selecting “Individual CAM-s” or “Chained on the line 1” or 2 as shown in Figure 32. CAM position can be changed from output to input.

For example: “CAM position” is set to “on input” and “CAM settings” is set to “Chained on line #1”. This means that Demod.1 input’s stream travels through CAM 1 followed by CAM 2, then goes to multiplexer and finally to Modulator, see Figure 32.

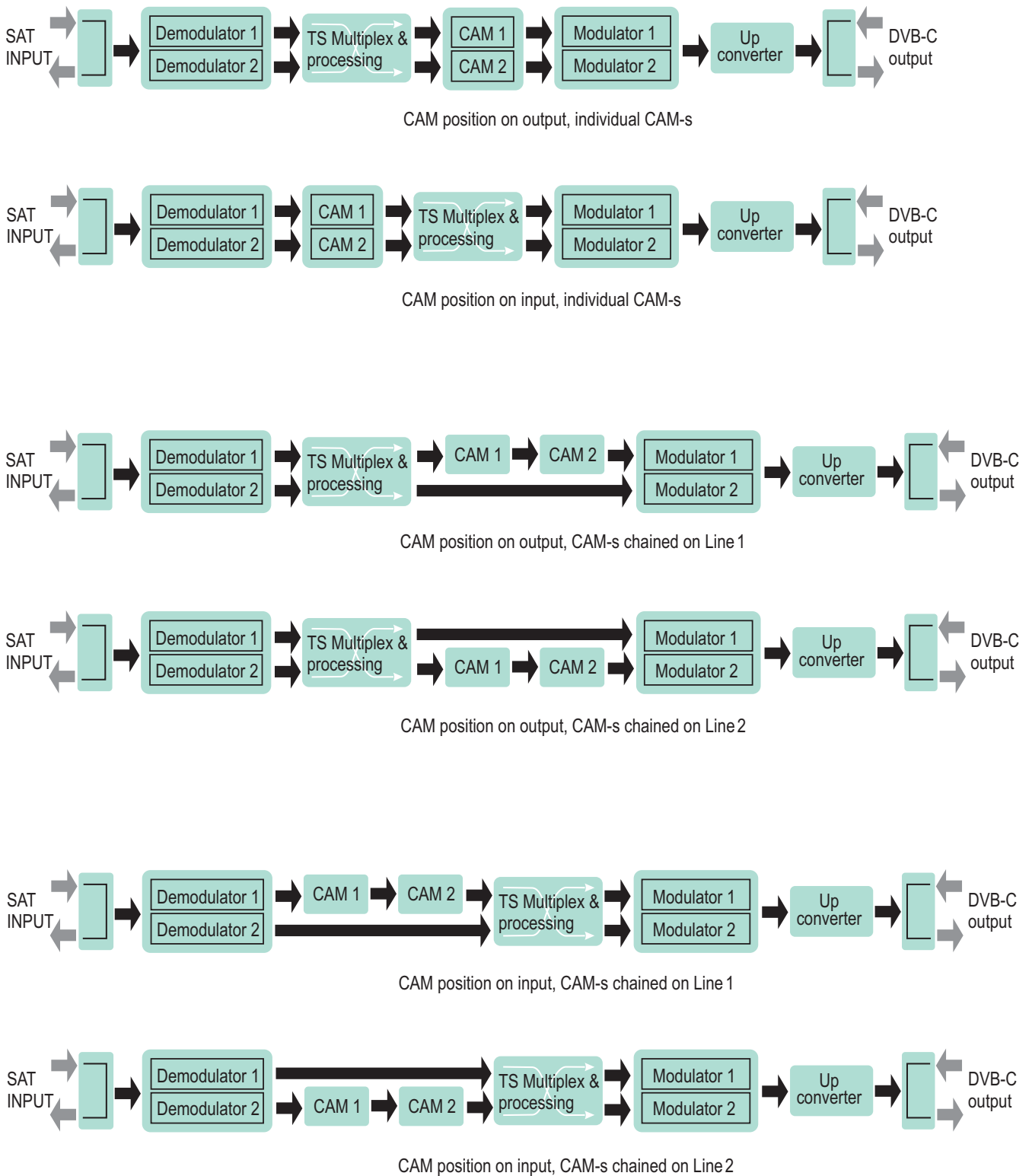


Figure 32. CAM configuration

The content of the remaining tables depends on the inserted CA module (refer to Figure 33 "CA information and menu tables"). General information about inserted CA module is displayed in the "CA module information" table. When there is no CA module inserted, "Status" line indicates message: "No module inserted" and remaining lines are empty. Otherwise, the "Status" contains message "Initialized" and remaining lines are filled with information read from the CA module. As in the example Figure 33 "CA information and menu tables", "CA module menu" table shows the menu for a particular CAM. Click on the corresponding button to access different menu options. Click on the "Back" button to return to previous menu, click on the "Home" button to return to start menu.

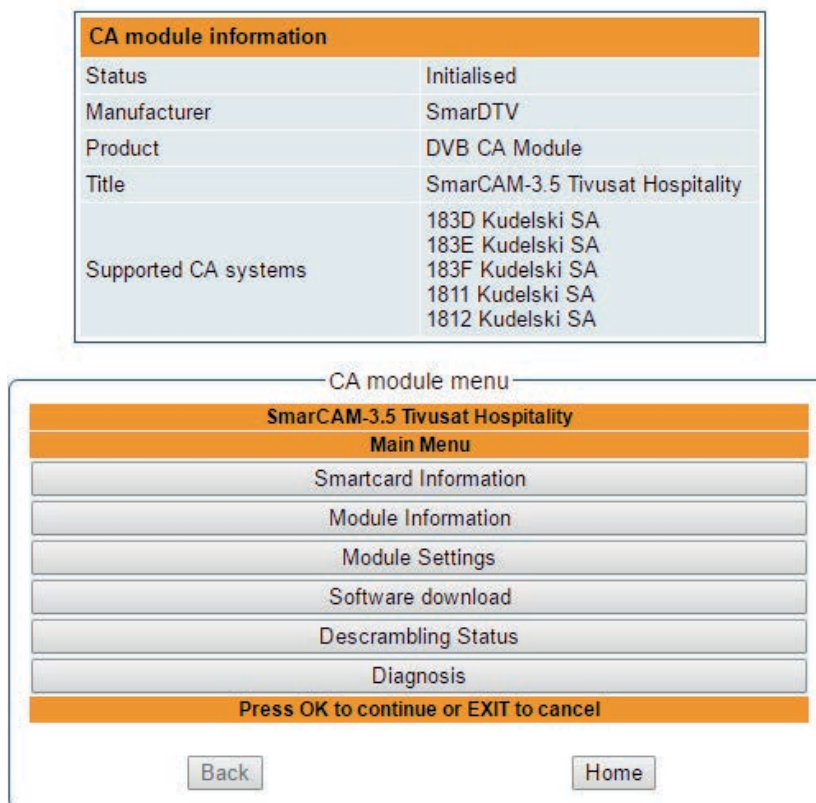


Figure 33. CA information and menu tables

6.11 System menu

This menu tab contains following submenu items: "Event logs", "Export parameters", "Import parameters", "Firmware upgrade", "User management", "Restore defaults", "Reset the device", "Time, Date", "Language". Mouse over to show the list of this submenu.

6.11.1 Event logs

Various important events, errors, warnings will be logged into the system, see Figure 34 "Event logs". Each record has an event type, which can be used to filter particular messages. Just select checkboxes in the „Logs filtering“ table and press „Apply“. Other messages will be hidden.

„Erase logs“ button will erase all logs from the system.

“Export logs” button forms the file (log.html) which will be downloaded to PC.

Each record has a log time when the event appeared. Refer to **6.11.8 "Date and time settings"** for instructions how to configure time settings.

Export logs				Erase logs
Date/Time	Event type	Event description		
2016-09-07 10:30:48	Event	Bitrate overflow restored back for channel 2		
2016-09-07 10:30:15	Event	PMT (Test-R) version change detected in channel 1		
2016-09-07 10:30:14	Error	Channel 2 bitrate overflow		
2016-09-07 10:28:39	Event	Control ETH interface link up: 100Base-TX full-duplex		
2016-09-07 10:28:39	Event	System time updated		
2007-01-01 00:00:05	Event	Power off/on restart occurred		
2016-09-07 10:28:15	Event	PMT (Test-R) version change detected in channel 1		
2016-09-07 10:26:14	Event	PMT (Test-R) version change detected in channel 1		
2016-09-07 10:24:25	Event	Logs erased		

Page 1 Page 2 Page 3 Page 4 Page 5 ... Page 13 Page 14 Page 15 Page 16

Figure 34. Event logs

6.11.2 Export parameters

All settings of transmodulator can be exported for backup or copying to another device. Press “Export parameters” and “parameters.xml” file will be downloaded to PC. This file can be imported only to the same type of device.

6.11.3 Import parameters

Exported parameters can be imported back to the device. Press onto “Click to select file” button (see Figure 35 "Import parameters") to select exported file.

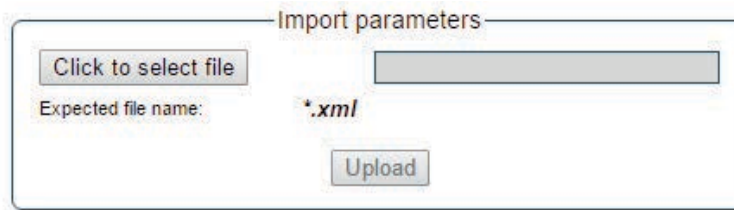


Figure 35. Import parameters

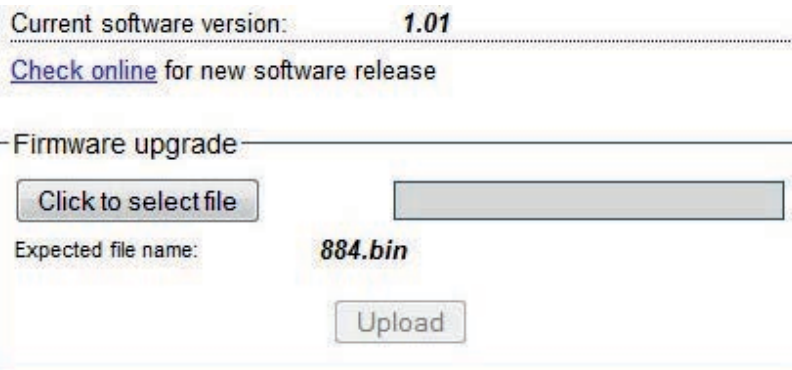
Press “Upload” button to send the file to the device. It will take several seconds to update all parameters after file upload. After that, device will function with new configuration. No restart is required.

6.11.4 Firmware upgrade

Device firmware can be upgraded via web browser. Press the “Click to select file” button and select firmware binary file. If valid file was selected, a version number of new firmware will be displayed. Otherwise an error message will appear. Press the “Upload” button to upload new firmware to the device. Upload progress bar will appear and may take several seconds to upload, depending on the size of a file and a network connection speed. A message will be displayed asking to restart the device when the file was sent to the device. New firmware will be programmed into the device only after restart. It may take additional minute or more to flash new program. Device will start up with a new firmware and continue to operate with previous parameters. Additional new firmware features (if any) may need to setup additionally to take effect.

Avoid power supply interruption when a programming process is going on.

Device has possibility to load software revision history and check availability for new software release. Click the “Check online” link. If computer (not device!) has internet access, it will show a list of all software releases with links to binary files. Binary file can be downloaded and saved to computer (see Figure 36 "Firmware upgrade"). After that, use the firmware upgrade method as described above.



Revision history	
0.02 version (2014-11-24)	Download (4845 kB)
<ul style="list-style-type: none">• New features<ul style="list-style-type: none">○ *****• Fixed bugs<ul style="list-style-type: none">○ *****	
0.01 version (2014-10-23)	Download (5407 kB)
<ul style="list-style-type: none">• Initial revision	

Figure 36. Firmware upgrade

6.11.5 User management

User may change a password here. Length of the password is up to 16 symbols. Type current password and double enter new password to change it.

If logged in user has admin role, new users can be added (see Figure 37 "User management").

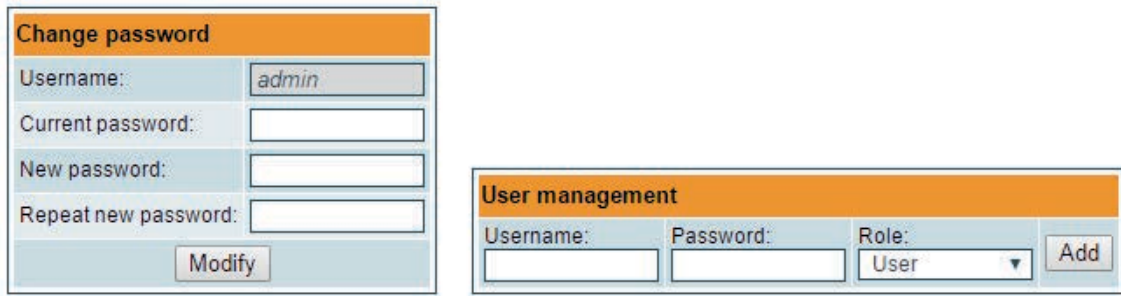


Figure 37. User management

Enter it's username, password, select a role and press „Add“ button.

Only administrator (user with a role „admin“) may manage other users.

NOTE: By giving your personal password or user access account for another person, you take full responsibility for all module settings modifications made by that person or anyone else they may give the password to.

6.11.6. Restore defaults

All parameters will be restored back to factory defaults after confirmation. The exception – IP address and users – these parameters will be unchanged. To restore IP address and system password to system defaults, see „RESET“ button at section 3, pos.7.

Several seconds can take to restore all parameters, so be patient.

6.11.7. Restart the device

Device will be restarted after confirmation to do it. This is an alternative to pressing a „RESET“ button when the device is operating.

6.11.8. Date, Time

System time can be configured manually or taken from NTP server (only if module can access NTP server). Also there is an option to select the time source from TS as shown in the Figure 38.

Date, Time	
System time	2017-06-15, 09:18:02
Time zone	GMT +3
Date and time source	<input type="radio"/> NTP server <input type="radio"/> Manual setup <input checked="" type="radio"/> Time from TS
Auto DST	<input type="checkbox"/>
Time source	Input 2
Update	

Figure 38. "Date, Time" settings table

6.11.9. Language

Device control panel supports several preinstalled languages. A change of language requires system restart. Note, that all previously logged records will remain in previous language.

Additional languages can be installed under request. Contact our distributors for such possibility.

6.11.10. Regions

Device supports several preinstalled regions. Region can be changed without restarting the device, just select needed region by pressing "Change" button in "Device information" table. The RF channel list depends on which region is selected.

Additional regions can be installed under request. Contact our distributors for such possibility.

7. Technical specifications

Type		tdq420C / tdq420		ttq420C / ttq420		
RF input	frequency range (pr.)	950-2150 MHz		47-862 MHz		
	LNB/preamplifier powering/control (pr.)	0/13/18 V & 22 kHz, 1 A** max. DiSEqC 1.0, EN50607, EN50494		12 V 100 mA		
	level / impedance	45-85 dB μ V / 75 Ω		40-80 dB μ V / 75 Ω		
	loop through gain	-1 \pm 1 dB		0 \pm 1 dB		
	standard (pr.)	DVB-S	DVB-S2*	DVB-T	DVB-T2	DVB-C
	modulation	QPSK	QPSK, 8PSK APSK 8/16/32	QPSK, QAM16, QAM64	QPSK, QAM16, QAM64, QAM256	QAM16, QAM32, QAM64, QAM128, QAM256
	bandwidth (pr.)	-	-	7 MHz, 8 MHz	7 MHz, 8 MHz	-
	symbol rate (pr.)	2 \div 45 Ms/s	2 \div 45 Ms/s	-	-	1 \div 7.2 Ms/s
	code rate	1/2, 2/3, 3/4, 5/6, 7/8	QPSK 1/2, 3/5, 2/3, 3/4, 4/5, 5/6, 8/9, 9/10 8PSK 3/5, 2/3, 3/4, 5/6, 8/9, 9/10	1/2, 2/3, 3/4, 5/6, 7/8	1/2, 3/5, 2/3, 3/4, 4/5, 5/6	-
	roll off	35 %	20 %, 25 %, 35 %	-	-	15 %
RF output	standard	DVB-C / J.83B				
	modulation (pr.)	QAM16/QAM32/QAM64/QAM128/QAM256 (DVB-C), QAM64/QAM256 (J.83B)				
	frequency range (pr.)	100 - 858 MHz, by step 100 kHz				
	channel allocation	adjacent				
	level / impedance	90 \pm 2 dB μ V / 75 Ω				
	return loss	\geq 14 dB at 47 MHz; -1.5 dB/oct., but not less 10 dB				
	spurious level	< -60 dB				
	MER	\geq 40 dB				
	channel bandwidth (pr.)	4...8.3 MHz				
	symbol rate (pr.)	3.5 \div 7.2 MS/s				
	roll off	15 %				
	signal processing	EN 300 429, J.83 A (Annex A)				
	total output level adjustment range (pr.)	0 \div -15 dB by 1 dB step				
	loop through frequency range/loss	47-2150 MHz / \leq 2.5 dB				
Transport stream parameters	max. bit rate	output 53 Mbps				
	max. PID filter count	unlimited				
Management port	standard IEE802.3 10/100 Base T					
Supply voltage	12 V \pm 1 V					
Current consumption without external load	550 mA		650 mA			
Current consumption with maximum external load	3 A		0.8 A			
Current consumption with maximum CAM-s and external load	3.6 A	-	1.1 A	-		
Operating temperature range	0 $^{\circ}$ \div +50 $^{\circ}$ C					
Dimensions/Weight (packed)	48.5x198x112 mm/0.9 kg					

* supports physical layer scrambling (PLS) and multiple input streams (MIS)

** only in v.1 and v.2 versions

(pr.) software control

1. Описание изделия

Устройства представляют собой трансмодуляторы с двумя входными каналами, обеспечивающие прием сигналов в формате модуляции DVB-S/S2/S2X (модели tdq420C и tdq420) или DVB-T/T2/C (модели ttq420C и ttq420), и двумя выходными каналами для передачи сигналов в формате модуляции DVB-C/J.83B. Устройства предназначены для цифровой трансмодуляции с обработкой транспортного потока теле- и радиопрограмм, передаваемых методом (FTA) открытого или кодированного цифрового вещания. В последнем случае необходимо использовать модуль условного доступа с картой оператора связи. Процессор модулей обеспечивает фильтрацию программ, внесение изменений в сведения о программах, генерирование NIT (таблиц сетевой информации) и LCN (номеров логических каналов), перемаркирование временных отметок программ. Все параметры конфигурации могут быть изменены с помощью Web интерфейса.

tdq420C – трансмодулятор с двумя входными каналами для приема сигналов в формате DVB-S/S2/S2X и двумя выходными каналами для передачи сигналов в формате DVB-C/J.83B и двумя модулями условного доступа;

ttq420C – трансмодулятор с двумя входными каналами для приема сигналов в формате DVB-T/T2/C и двумя выходными каналами для передачи сигналов в формате DVB-C/J.83B и двумя модулями условного доступа;

tdq420 – трансмодулятор с двумя входными каналами для приема сигналов в формате DVB-S/S2/S2X и двумя выходными каналами для передачи сигналов в формате DVB-C/J.83B;

ttq420 – трансмодулятор с двумя входными каналами для приема сигналов в формате DVB-T/T2/C и двумя выходными каналами для передачи сигналов в формате DVB-C/J.83B.

Трансмодуляторы могут использоваться как автономно действующие устройства.

Изделия предназначены для установки и использования внутри помещений.

2. Инструкция по электробезопасности

Инсталляция трансмодулятора должна быть проведена в соответствии с требованиями IEC60728-11 и национальных стандартов безопасности.

Ремонтировать трансмодулятор может только квалифицированный персонал.

Не устанавливайте трансмодулятор в местах, где есть возможность попадания брызг или капель воды.

Не ставьте сосудов (напр. ваз) с водой или другими жидкостями вблизи трансмодулятора, чтобы избежать попадания жидкостей внутрь трансмодулятора.

Не устанавливайте трансмодулятор вблизи приборов отопления, а также в помещениях повышенной влажности.

Держите трансмодулятор вдали от открытого огня.

После длительного хранения трансмодулятора при низкой температуре, необходимо перед включением выдержать его в теплом помещении не менее двух часов.

Не закрывайте трансмодулятор посторонними предметами, напр. газетами, шторами;

При инсталляции крепите трансмодулятор в вертикальном положении. При инсталляции модуля в 19" коммутационную стойку, может понадобится дополнительный вентиляционный блок для охлаждения модулей (см. таблицу "Технические характеристики" - диапазон рабочих температур.)

Сверху, спереди и снизу установленного трансмодулятора должно быть не менее 10 см свободного пространства.



Данный продукт соответствует требованиям Европейской Директивы 2002/96/ЕС. Устройство должно быть переработано или утилизировано в соответствии с местными и региональными правилами.



Оборудование предназначено работать в закрытых помещениях.



Данный продукт соответствует следующим нормам Европейского Союза: электромагнитной совместимости EN50083-2, безопасности EN IEC62368-1 и RoHS EN50581.



Данный продукт соответствует требованиям технических регламентов Таможенного Союза: "Электромагнитная совместимость технических средств" TP TC 020/2011, "О безопасности низковольтного оборудования" TP TC 004/2011.



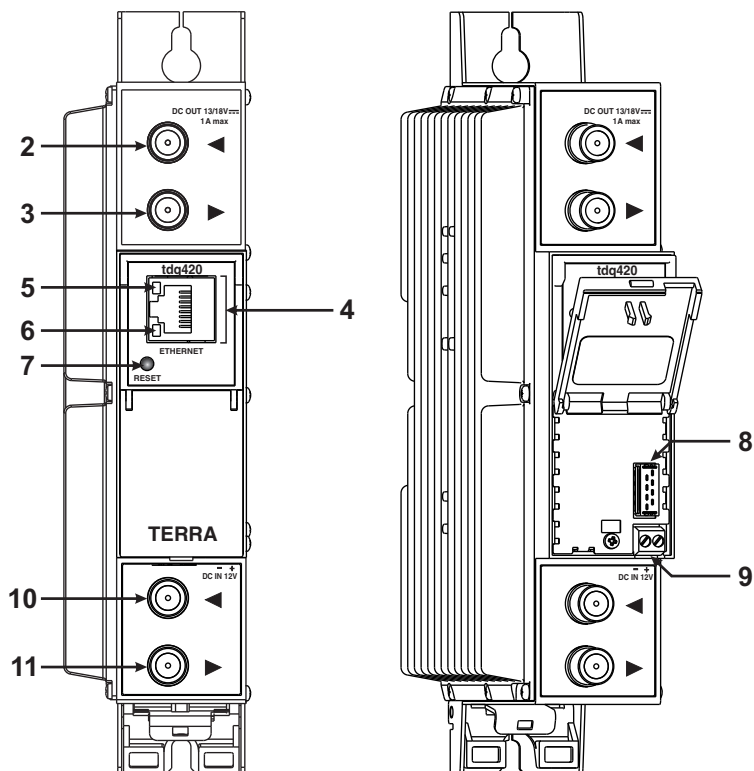
Данный продукт соответствует нормам безопасности по стандарту AS/NZS 60065 и нормам электромагнитной совместимости по стандартам Австралии.

руководство
пользователя в .pdf



3. Внешний вид

tdq420



1 - Два PCMCIA гнезда для установки модулей условного доступа (tdq420C, ttq420C).

1.1 - первый модуль CAM 1

1.2 - второй модуль CAM 2

2 - ◀ - PC вход для приема PC СТВ сигналов; DC выход для питания LNB (tdq420C, tdq420); PC вход наземного ТВ, кабельного ТВ, DC выход для предусилителя (ttq420C, ttq420); Гнездо типа F.

3 - ▶ - PC выход (для проходного суммирования по PC). Гнездо типа F.

4 - **ETHERNET** - разъем RJ45 управляющего интерфейса Ethernet.

5 - Светодиодный индикатор активности (желтый) управляющего интерфейса Ethernet..

6 - Светодиодный индикатор соединения (зеленый) управляющего интерфейса Ethernet.

7 - Кнопка **RESET (Сброс)** и IP адрес по умолчанию. IP адрес можно установить по умолчанию (192.168.1.10), нажав и удерживая кнопку "RESET" (сброс) по меньшей мере 3 сек. Светодиодные индикаторы Ethernet интерфейса активности [5] и соединения [6] начнет мигать информируя о том, что запрос на сброс IP адреса принят. Устройство перезапустится с IP адресом по умолчанию. Чтобы восстановить все параметры до значений по умолчанию (включая пароль), удерживайте кнопку еще 4 сек. По истечении этого времени начнет мигать зеленый индикатор, указывая на то, что команда «Восстановить настройки производителя» была принята. Теперь кнопку можно отпустить. При сбросе параметров загорится желтый индикатор. После этого устройство перезагрузится со всеми значениями по умолчанию.

8 - Разъем шины питания.

9 - Напряжения питания +12 V (винтовой разъем)

10 - PC вход (для проходного суммирования по PC). Гнездо типа F. Гнездо типа F.

11 - PC выходной сигнал. Гнездо типа F.

tdq420C

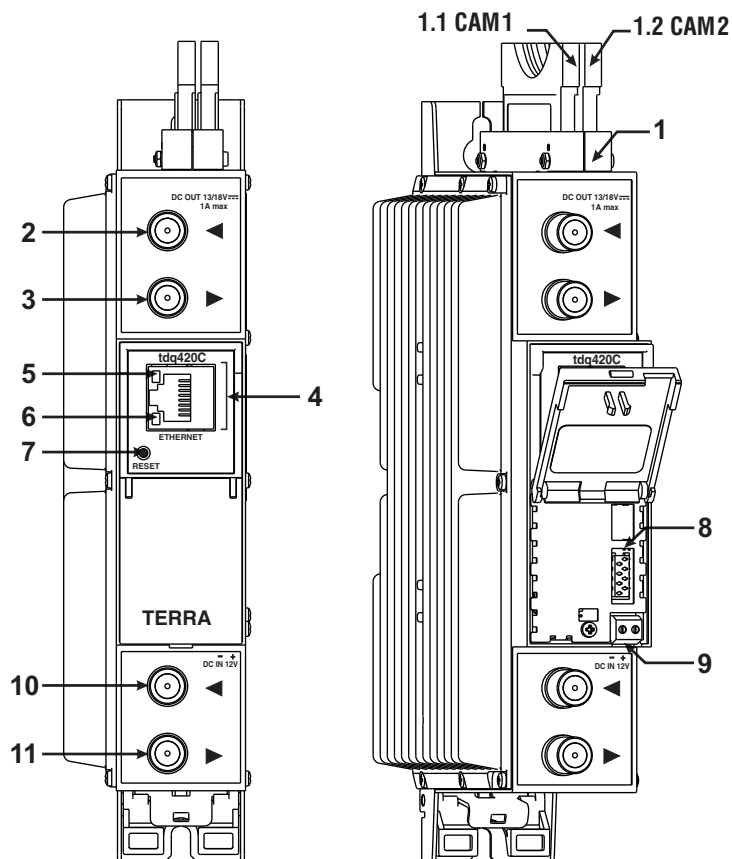


Рис. 1. Внешний вид трансмодуляторов

4. Порядок установки модуля и выполнения подключений

Прочитайте указания по соблюдению мер безопасности при выполнении работ по подключению устройства. Все настройки могут быть выполнены через управляющий интерфейс Ethernet с использованием веб-браузера. До начала работ по подключению модуля отключите блок питания от питающей сети. Установите и закрепите модуль на планке "DIN rail" или в отдельной стойке.

Подключите все радиочастотные, питающие и управляющие кабели. Рекомендуется использовать экранированный Ethernet кабель.

Подключите нагрузку сопротивлением 75 Ω к неиспользуемым гнездам типа F радиочастотного выхода.

Вставьте модули SA.

Подключите модуль к питающей сети.

Через 5-40 секунд после подключения модуль должен начать работать в нормальном эксплуатационном режиме.

Показания светодиодных индикаторов:

При установлении соединения с управляющим интерфейсом Ethernet загорается индикатор соединения [6].

При активном состоянии связи через управляющий интерфейс Ethernet индикатор активности [5] горит мерцающим светом (мигает).

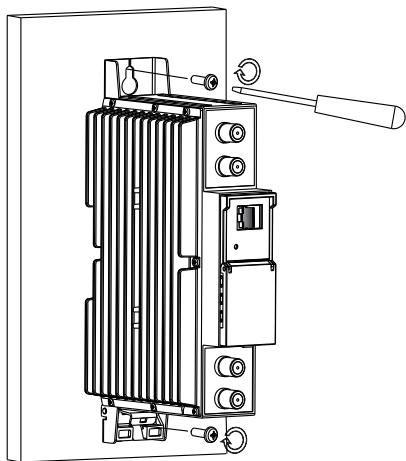
5. Крепление

Прикрепите модуль или угольник к стене стальными болтами или саморезами диаметром 3.5-4 мм. Болты и саморезы не входят в комплект поставки.

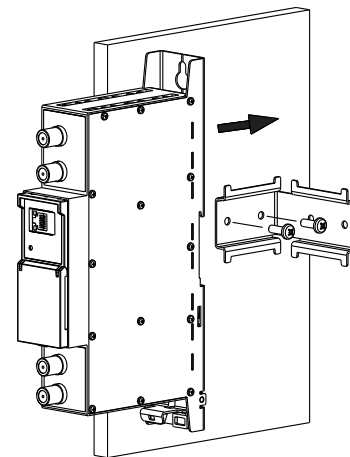
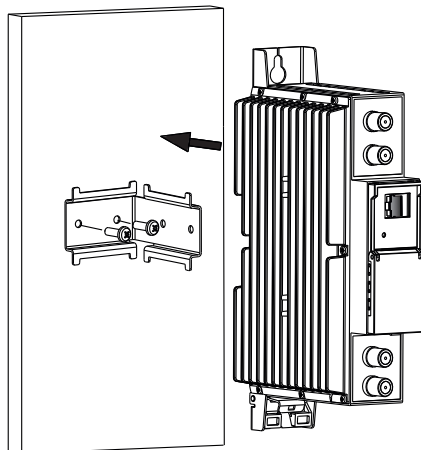
Угольник или планка "DIN rail" должны быть подсоединены к основной шине выравнивания потенциалов.

Крепление к стене саморезами

Крепление на угольнике (входит в комплект поставки)




Перпендикулярно к стене



Параллельно к стене

Рис. 2. Крепление трансмодулятора

ТРЕБОВАНИЯ К ВНЕШНЕМУ ИСТОЧНИКУ ПИТАНИЯ

- Выходное напряжение $+12\text{ V} \pm 0.5\text{ V}$
- Пульсации на основной и/или двойной частоте сети питания $< 10\text{ mV p-p}$
- Пульсации и шум $< 100\text{ mV p-p}$
- Защита от короткого замыкания
- Двойная изоляция (маркированный )
- Помехи в сеть соответствуют EN 55022 класс В, измеряя при включенном заземлении

Комплект поставки

1. Трансмодулятор 1 шт.
2. Угольник 1 шт.
3. Пластиковая вставка 1 шт.
4. 75 Ω нагрузка 1 шт.
5. Фштырь - Фштырь "quick" коаксиальная перемычка 1 шт.
6. Инструкция пользователя 1 шт.

Крепление к планке "DIN rail"

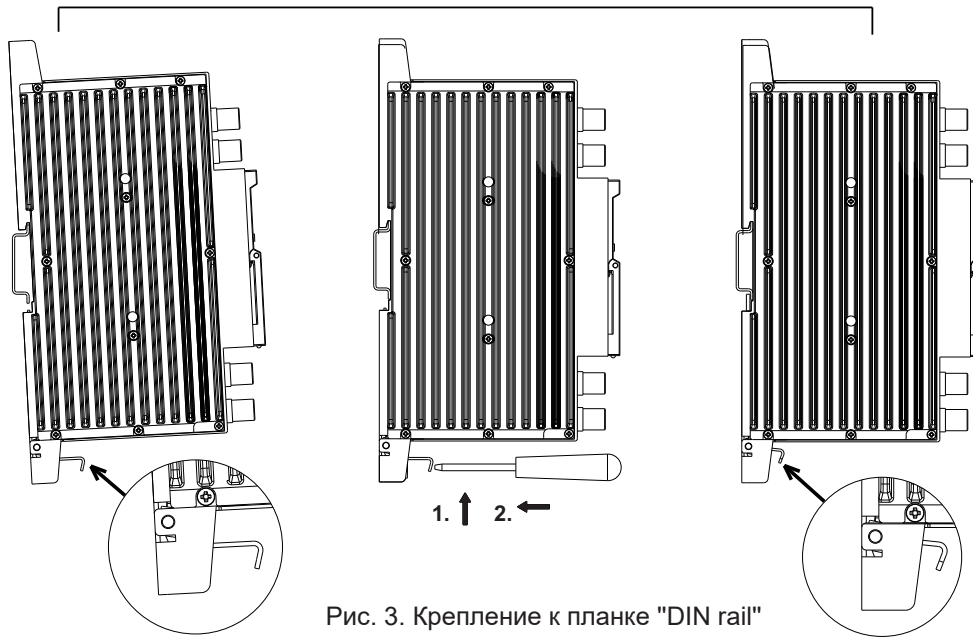


Рис. 3. Крепление к планке "DIN rail"

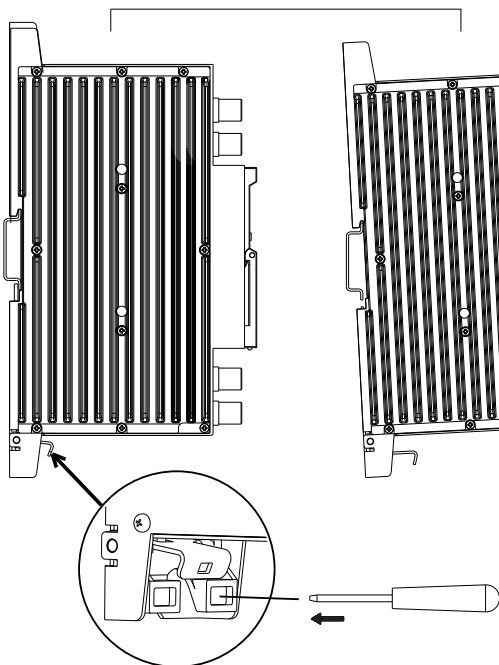


Рис. 4. Демонтаж с планки "DIN rail"

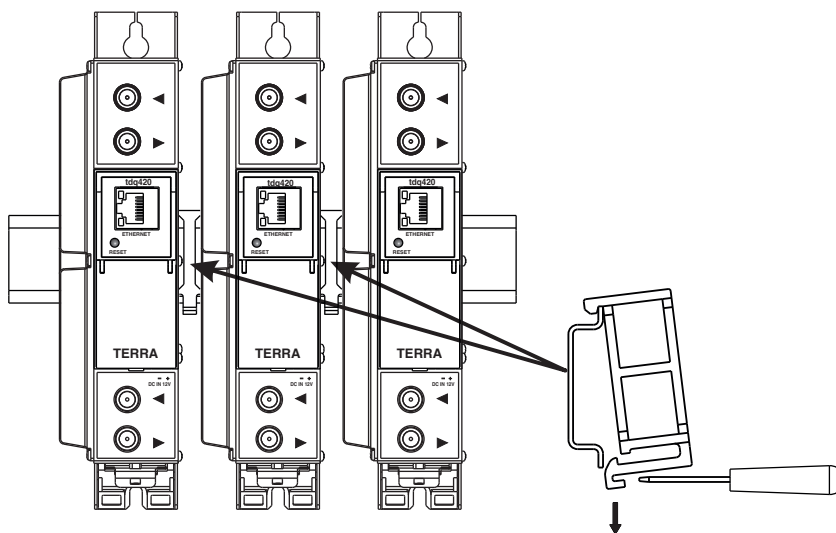


Рис. 5. Крепление или демонтаж к/либо с "DIN rail" пластиковых вставок (входят в комплект поставки).

6. Порядок работы с модулем

6.1 Начальное конфигурирование

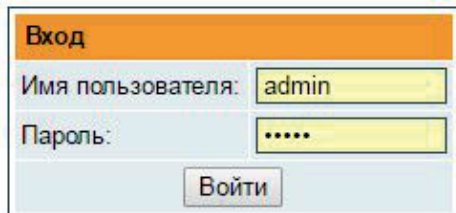
На всех модулях установлен следующий стандартный IP-адрес управляющего интерфейса Ethernet: 192.168.1.10. Во избежание конфликта с другими IP-адресами необходимо выполнить начальное конфигурирование устройства в локальном режиме. В дальнейшем изменение параметров конфигурирования и проверка рабочего состояния устройства может быть осуществлена по локальной сети.

Заводские параметры конфигурации протоколов TCP/IP управляющего интерфейса Ethernet:

IP-адрес модуля **192.168.1.10**

Маска подсети: **255.255.255.0**

Шлюз по умолчанию: **192.168.1.1**



Для доступа к модулю используйте персональный компьютер, оснащенный Ethernet-адаптером и экранированным кабелем RJ-45 категории CAT-5E или CAT-6. IP-адрес компьютера должен быть установлен в следующем диапазоне: 192.168.1.2 - 192.168.1.254. Не использовать значение 192.168.1.10, так как оно является IP-адресом конфигурируемого модуля. Для начала процесса конфигурации модуля откройте веб-браузер и наберите в адресной строке следующий IP-адрес: http://192.168.1.10. На экране появится окошко с запросом входа в систему (см. рис. 6).

Рис. 6. Запрос входа в систему

Доступ к сетевому интерфейсу защищен паролем и именем пользователя. Имя пользователя и пароль по умолчанию: **admin**. Введите их в соответствующие поля и нажмите на кнопку **"Войти"**.

Внимание!* Пароль по умолчанию - **admin** - может и должен быть сменен в порядке, изложенном в пункте **6.11.5 "User management" (Управление пользователями)**). В процессе начального конфигурирования необходимо изменить стандартные настройки протоколов TCP/IP управляющего интерфейса Ethernet в порядке, изложенном в пункте **6.8 "IP настройки"**.

Внимание!** При использовании программы Internet Explorer ее версия должна быть 10.0 и выше.

Порядок сброса IP-адреса управляющего интерфейса на адрес по умолчанию: нажмите и удерживайте в течение не менее трех секунд кнопку **"RESET" (Сброс)** [7], а затем отпустите ее. При этом будет выполнена установка IP-адреса управляющего интерфейса на значение **192.168.1.10**, см. пункт **6.8** для более подробной информации.

6.2 Общее конфигурирование

Начальный экран программы

На первом экране после входа в систему отображается главное окно программы с общей информацией об устройстве (см. рис. 7).

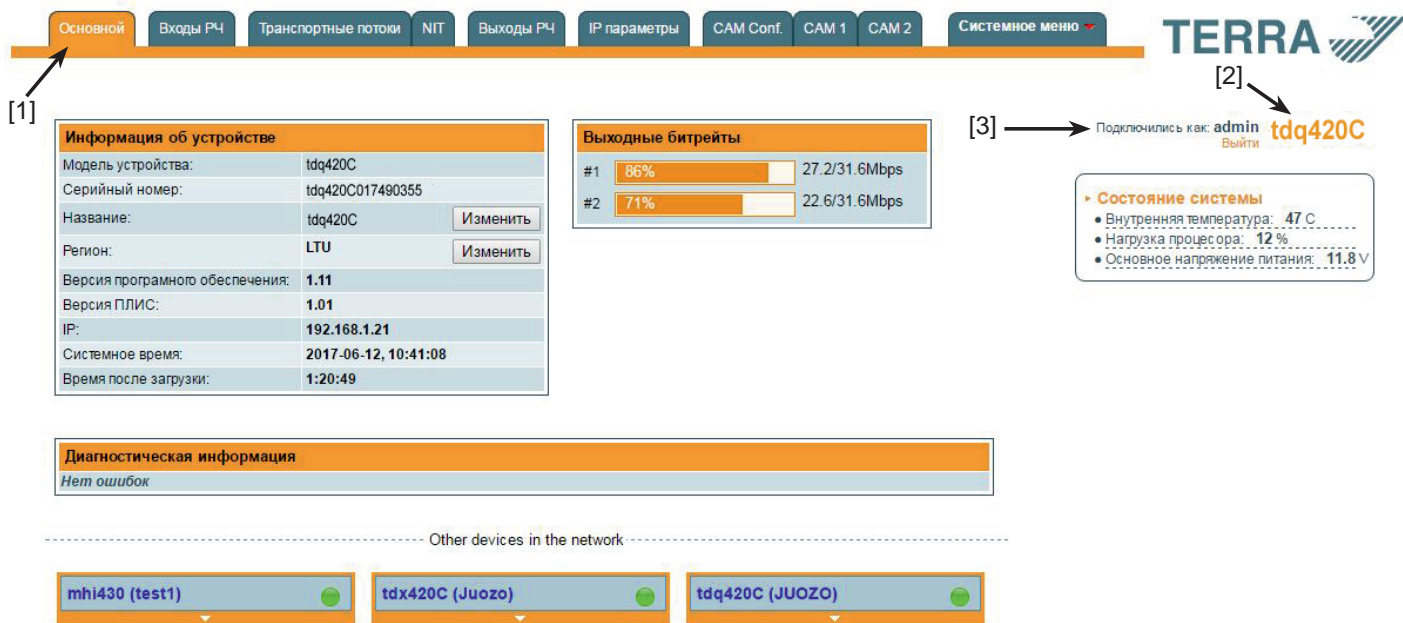


Рис. 7. Экран с общей информацией об устройстве

В верхней части каждого экрана конфигурации находятся вкладки [1] главного меню, с помощью которых можно переключаться между различными меню конфигурации устройства. Меню, которое активно в данный момент, выделено на экране желтым цветом. Вкладка "Системное меню" содержит несколько вложенных подменю (пунктов). Общим элементом всех экранов является наличие строки с названием модуля [2] и строк с данными входа в систему [3]. Название модуля может быть изменено путем нажатия кнопки "Изменить" в таблице "Информация об устройстве". При нажатии на строку "Выход" выполняется выход пользователя из системы управления модулем.

Таблица "Информация об устройстве"

В таблице указываются следующие сведения о модуле:

"Модель устройства": модель модуля.

"Серийный номер": серийный номер модуля.

"Версия программного обеспечения": номер версии программного обеспечения модуля.

"Системное время": текущее время, синхронизированное с таблицей времени и даты входного потока или NTP сервером. Величину сдвига местного времени можно задать во вкладке **"IP параметры"** (см. пункт 6.8).

"Время после загрузки": время, прошедшее с момента последнего включения питания или перезагрузки модуля.

Таблица "Выходные битрейты"

В таблице показывается состояние скорости передачи выходного сигнала по каждому каналу в режиме реального времени. Горизонтальная строка показывает степень использования пропускной способности канала в процентах. Первое число справа от строки показывает фактическую скорость передачи данных в Mbps. Следующее число показывает максимально допустимую скорость передачи данных по каналу, которая определяется параметрами модуляции. Величина параметра не должна превышать 95%, в противном случае может наступить перегрузка по скорости передачи данных.

Таблица "Состояние системы"

В таблице в режиме реального времени отображаются следующие параметры: нагрузка на процессор в процентах от полной, внутренняя температура модуля в °C и напряжение в сети питания модуля в вольтах.

Другие устройства в сети

Если в сети присутствуют несколько модулей, то их состояние и диагностическая информация будут отображаться, как показано на рис. 7. Если строка с состоянием модулей выделена красным цветом, то нажмите стрелку вниз для вывода на экран сообщений с выявленными ошибками. Убедитесь, что конфигурация маршрутизатора Ethernet обеспечивает пропускание пакетов SSDP (239.255.255.250:1900 и 239.255.255.246:7900), и все модуля подключены к одной и той же сети Ethernet.

Таблица "Диагностическая информация"

В таблице регистрируются все ошибки при работе модуля и даются рекомендации по их устранению.

Диагностическая информация	
FPGA configuration failed	
Демодулятор 2 незахвачен	
Демодулятор 1 незахвачен	

Рис. 8. Таблица "Диагностическая информация" с показом выявленных ошибок в работе модуля

6.3 "Входы РЧ"

Вход 1	
Тип источника	DiSEqC
LNB LO частота	9750 МГц
LNB HI частота гетеродина	10600 МГц
Поляризация	Вертикальная
Спутник	Спутник А
<input type="button" value="Обновить"/>	

Рис. 9. Таблица "Вход 1"
(только для входа DVB-S/S2/S2X)

Вход 1	
Тип источника	dSCR
Настроить Terra dSCR систему	
SCR/dSCR mode	<input type="radio"/> Основной <input checked="" type="radio"/> Вспомогательный
Основной IP-адрес	192.168.1.10
LNB LO частота	9750 МГц
LNB HI частота гетеродина	10600 МГц
<input type="button" value="Обновить"/>	

Рис. 10. Таблица "Вход 1":
"Тип источника = dSCR"

Таблица "Вход 1" для моделей, имеющих входы для приема сигналов в формате модуляции DVB-S/S2/S2X, позволяет производить настройку следующих параметров (см. рис.9):

"LNB LO частота". Нижняя частота гетеродина малошумящего блок-конвертера в MHz. Для универсального конвертера установите частоту 9750 MHz.

"LNB HI частота гетеродина". Верхняя частота гетеродина малошумящего блок-конвертера в MHz. Для универсального конвертера установите частоту 10600 MHz.

"Питание LNB". Электропитание конвертера может быть установлено в положение "0", "13 V", "18 V", "13 V/22 kHz" и "18 V/22 kHz".

"Поляризация". Тип поляризации сигнала, поддерживаемый конвертером. Может быть выбран пункт "Горизонтальная" или "Вертикальная".

"Тип источника": тип малошумящего блок-конвертера. Варианты выбора: Universal, Quadro, DiSEqC, dSCR EN50607, SCR EN50494 (см. рис. 9, 10).

Вход 1	
Тип источника	SCR
SCR/dSCR mode	<input type="radio"/> Основной <input checked="" type="radio"/> Вспомогательный
Основной IP-адрес	192.168.1.20
LNB LO частота	9750 МГц
LNB HI частота гетеродина	10600 МГц
LNB UB 1	950 МГц
LNB UB 2	950 МГц
LNB UB 3	950 МГц
LNB UB 4	950 МГц
LNB UB 5	950 МГц
LNB UB 6	950 МГц
LNB UB 7	950 МГц
LNB UB 8	950 МГц
Обновить	

Рис 11. Таблица "Вход 1":
"Тип источника" = SCR"

"Универсальный LNB"- напряжение питания конвертера устанавливается исходя из выбранного типа поляризации сигнала – 18 V горизонтальная, 13V вертикальная; при этом сигнал 22 kHz устанавливается в зависимости от заданных параметров "LNB HI частота гетеродина", "LNB LO частота" и "Входная частота".

Пример:

LNB Hi=10,600, LNB Lo=9750, тогда $F=(950+10,600+2150+9750)/2=11,725$ MHz.

"DiSEqC" - используйте команды DiSEqC для выбора спутника. Доступные команды: "Спутник А", "Спутник В", "Спутник С", "Спутник D", "Вертикальная" или "Горизонтальная" поляризация.

"dSCR" - сначала выберите тип источника как показано на рис. 10, далее выберите "dSCR/SCR mode" - "Основной" или "Вспомогательный" ("Основной" выбирается для модулей, имеющих прямое соединение с распределителем сигналов Unicable мультисвич или LNB и "Вспомогательный" для модулей, включенных через сквозной проход входного РЧ сигнала). При выборе режима "Вспомогательный" необходимо дополнительно указать IP-адрес модуля "Основной". Все модули группы dSCR/SCR должны быть в одной сети Ethernet. Далее выберите "SAT вход" и "Пользовательская полоса", задайте значения частот и символьной скорости. Нажмите на кнопку "Обновить" и проверьте "dSCR" status.

"SCR" - то же самое что и dSCR, за исключением того, что частоты групп пользователей должны быть введены вручную как показано на рис. 11.

	Название	SAT вход	Пользовательская полоса	Установки DVB-S2	Входная частота, МГц	Символьная скорость, Ks/s
Демод. 1		dSCR 1 SAT A V/Lo	UB 1	Конфигурировать	11600	23000
Демод. 2		dSCR 1 SAT A H/Lo	UB 2	Конфигурировать	11600	23000
Обновить						

Рис. 12. Таблица настройки демодулятора (только для входа DVB-S/S2/S2X)

Таблица настройки демодулятора для моделей, с входом DVB-S/S2/S2X, позволяет производить настройку следующих параметров (см. рис. 12):

"SAT вход": параметр, позволяющий отключить демодулятор или подключить его к любому доступному РЧ входу).

"Пользовательская полоса": параметр, используемый в переключателях dSCR/SCR.

"Входная частота": частота входного сигнала трансмодулятора в MHz.

"Символьная скорость": скорость передачи символов трансмодулятора в kSym/s.

SAT вход

Выкл

Выкл

SAT A V/Lo

SAT A V/Hi

SAT A H/Lo

SAT A H/Hi

Рис. 13. "SAT вход" (только для входа DVB-S/S2/S2X)

Для расширенных опций "Установки DVB-S2", нажмите на "Конфигурировать", при этом откроется таблица "Расширенные параметры DVB-S2" (см. рис. 14).

"PLS" (Скремблирование на физическом уровне) - используется в DVB-S2 в целях повышения целостности структуры данных. Число, называемое индексом скремблирующей последовательности, используется модулятором в качестве главного кода для формирования сигнала в восходящем канале связи. Величина индекса должна быть известна приемнику сигнала для выполнения процесса демодуляции.

PLS режимы: "Root" или "Gold".

"Stream" (Поток): параметр, необходимый для многопоточковых транспондеров.

ВНИМАНИЕ! Если дополнительные параметры не нужны, обязательно оставите их, как показано на рисунке 14.

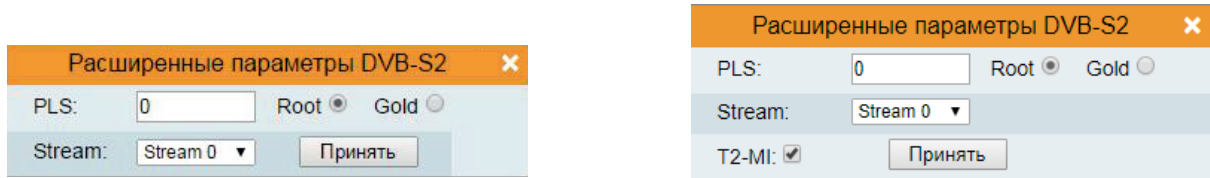
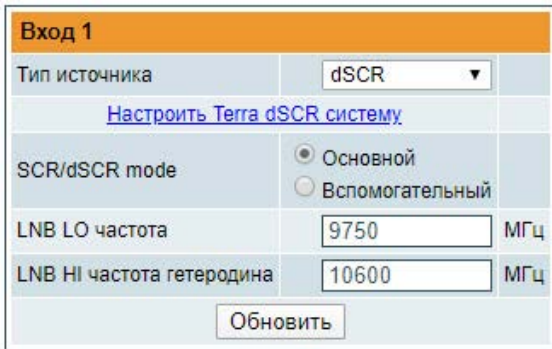


Рис. 14. Таблицы "Расширенные параметры DVB-S2" (T2-MI деинкапсуляция поддерживается только в версии M.1)

ВНИМАНИЕ! Деинкапсуляция до 2х T2-MI потоков, общий битрейт потоков не должен превышать 50 Mbit/s.

Новая Функция "Настроить TERRA dSCR систему"



Перед началом настройки убедитесь, что все мультисвитчи подключены к модулю через делитель, который пропускает постоянный ток в обоих направлениях!

Нажмите "Настроить Terra dSCR систему" и подождите, пока устройство сканирует все доступные мультисвитчи. После завершения сканирования будут отображены серийные номера и конфигурация (Рис. 16).

Выбрать число полос в поле "Всего полос" и позицию SAT (Рис. 17). Нажмите "Конфигурировать", если используете широкополосные мультисвитчи, вы сможете изменить частоту гетеродина (Рис. 18).

Замечание: При изменении количества пользовательских полос, также меняете максимальную полосу пропускания принимаемого транспондера.

Рис. 15. Таблица "Вход 1": "Тип источника = dSCR"

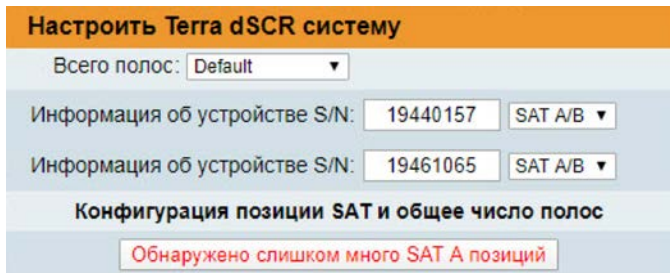


Рис. 16. Таблица "Настроить Terra dSCR систему"

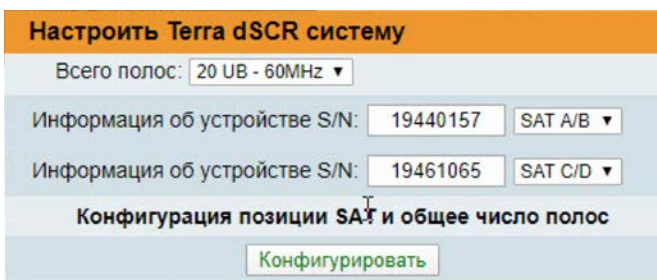


Рис. 17. Таблица "Конфигурация позиции SAT и общее число полос"



Рис. 18. Таблица "Настроить частоту гетеродина"

Параметры таблицы настройки демодулятора с входом DVB-T/T2/C (см. рис. 19):
 "Стандарт модуляции"- используется для выбора стандартов модуляции DVB-T/T2 или DVB-C.
 "Питание предусилителя" - используется для включения и выключения питания РЧ предусилителя.
 "Ширина полосы" - ширина полосы DVB-T/T2 транспондера. Может быть задано значением 7 или 8 MHz.
 "Входная частота" - частота наземного или кабельного транспондера в MHz. Шаг частоты - 0.1 MHz. Когда тюнер настроен на транспондер потоков в стандарте DVB-T2 с модуляцией в режиме передачи нескольких каналов физического уровня внутри одного транспортного потока (мульти PLP), в таблице "Входы РЧ" появляется дополнительный параметр - "Номер PLP". При выборе стандарта модуляции DVB-C параметры "Питание предусилителя" и "Ширина полосы" деактивируется, питание предусилителя отключается (Off) и активируется параметр "Символьная скорость", значение которого в киლოსимволах в секунду необходимо задать.

	Включено	Стандарт модуляции	Питание предусилителя	Ширина полосы	Символьная скорость	Входная частота		Номер PLP
Демод. 1	<input checked="" type="checkbox"/>	DVB-T/T2 ▾	Выкл ▾	8MHz ▾	6875	658.0	Manual ▾	0 ▾
Демод. 2	<input checked="" type="checkbox"/>	DVB-T/T2 ▾	Выкл ▾	8MHz ▾	6875	666.0	Manual ▾	0 ▾

Рис. 19. Таблица настройки демодулятора (только для входа DVB-T/T2/C)

Нажмите на кнопку "Обновить", чтобы установить новые параметры.

Таблица состояния входного сигнала

dSCR:

- Состояние: **Готов**
- Всего полосов: **16**
- Используемые полосы: **6**

Демод. 1 статус

- Захват: **Захвачено**
- Стандарт модуляции: **DVB-S**
- Уровень РЧ: **77 dBμV**
- Модуляция: **QPSK**
- FEC: **2/3**
- ОСШ: **13.7 dB**
- VBER: **<1.0E-08**
- PER: **<1.8E-06**
- Входной битрейт: **33790 kbps**

Демод. 2 статус

- Захват: **Захвачено**
- Стандарт модуляции: **DVB-S**
- Уровень РЧ: **72 dBμV**
- Модуляция: **QPSK**
- FEC: **5/6**
- ОСШ: **14.2 dB**
- VBER: **<1.0E-08**
- PER: **<1.9E-06**
- Входной битрейт: **33790 kbps**

В таблице отображается следующая информация:

"Уровень РЧ" - уровень РЧ сигнала на входе в модуль. Показывается приблизительная величина уровня сигнала.

Значения следующих параметров показываются только для состояния синхронизации модуля с входным сигналом:

"Стандарт модуляции" - обнаруженный стандарт модуляции входного сигнала. Возможные значения стандарта: DVB-S, DVB-S2, DVB-S2X, DVB-T, DVB-T2, DVB-C.

"Частота" - промежуточная частота (для DVB-S/S2/S2X) или РЧ частота (для DVB-T/T2/C) на входе в модуль.

"Модуляция" - схема модуляции входного сигнала. Возможные значения: QPSK, 8PSK, 16APSK, 32APSK (для DVB-S/S2/S2X), QPSK, QAM16, QAM32, QAM64, QAM128, QAM256 (для DVB-T/T2/C).

"Режим модуляции" - модуляция входного сигнала в режиме OFDM (для DVB-T/T2/C). Возможные значения: 2k или 8k.

"FEC" - Прямая коррекция ошибок.

"Защитный интервал" - защитный интервал сигнала модуляции OFDM (для DVB-T/T2/C).

"Символьная скорость" - скорость передачи символов спутниковым транспондером в килосимволах в секунду (только для модели tdq420C).

"SNR" - Отношение РЧ сигнал/шум на входе в модуль.

"VBER" - Частота появления ошибочных битов после коррекции по алгоритму Viterbi.

Для получения неискаженного сигнала на выходе из тюнера, значение VBER не должно превышать 2E-4.

"PER" - (Вероятность ошибки на пакет): Отношение числа ошибочно принятых транспортных пакетов MPEG-2 к общему числу переданных пакетов. Если число ошибочных пакетов равно нулю, то в строке показывается значение, обратное полному числу пакетов. При обновлении параметров РЧ сигнала производится сброс показаний данного параметра.

"Входной битрейт" - скорость передачи входного сигнала.

Рис. 20. Таблица состояния входного сигнала (для DVB-S/S2/S2X)

6.4. Транспортные потоки

Конфигурирование каналов в таблице выполняется по одному. Выберите нужный канал из выпадающего списка "Выберите входной канал" (см. рис. 21).

Выберите входной канал

Демод. 2 ▾ Прозрачный режим

Список сервисов

Service title	Bitrate	LCN	Сервис ID	Descramble	Включено
<input type="checkbox"/> tagesschau24	7.0 Mbps	<input type="text" value="333"/>	28721	<input type="checkbox"/>	Выход 2 ▾
<input type="checkbox"/> ONE	8.2 Mbps	<input type="text" value="334"/>	28722	<input type="checkbox"/>	Выкл ▾
<input type="checkbox"/> arte	8.3 Mbps	<input type="text" value="555"/>	28724	<input type="checkbox"/>	Выкл ▾
<input type="checkbox"/> PHOENIX	7.4 Mbps	<input type="text" value="666"/>	28725	<input type="checkbox"/>	Выход 2 ▾
<input type="checkbox"/> Test-R	7.3 Mbps	<input type="text" value="777"/>	28726	<input type="checkbox"/>	Выход 2 ▾

Отметить все в канал 1
 Отметить все в канал 2

Рис. 21. Таблица транспортных потоков


Появится таблица "Список сервисов" с перечнем программ, входящих в состав выбранного канала. Пиктограмма перед названием программы указывает на ее тип. Скорость передачи данных в каждой программе измеряется в режиме реального времени. Программы, которые в данный момент не транслируются, выделяются серым цветом. Их выбор и просмотр возможны только после начала их трансляции. В поле "LCN" указывается номер логического канала, который может быть присвоен каждой программе. Сортировка каналов ТВ приемником производится на основе этих номеров, при этом необходимо обеспечить, чтобы каждая программа в составе каждого канала таблицы имела свой уникальный номер. Нулевой номер означает, что номер логического канала "LCN" для данной программы не используется, и в таком случае ТВ приемник выполняет сортировку таких каналов на основе своих правил. Если программе номер канала

присвоен, но ТВ приемник не определяет ее, то необходимо выполнить следующие действия:

- убедиться, поддерживает ли ТВ приемник систему номеров логических каналов (LCN);
- проверить, что "Идентификатор сети" ("Network ID") и "Первоначальный идентификатор сети" ("Original Network ID") соответствуют стране, выбранной на ТВ приемнике.

Колонка таблицы "Включено", позволяет включить программу в выбранный выходной поток.

Колонка "Descramble" позволяет активировать и деактивировать функцию дескремблирования путем постановки или снятия галочек в соответствующих кнопках-флажках.

При нажатии на пиктограмму  в начале каждой строки с названием программы появляется таблица с развернутыми сведениями о программе (см. рис. 22).

Название сервиса:	ServusTV HD Oesterreich	Новое название сервиса:	ServusTV HD Oesterreich
Провайдер сервиса:	ServusTV	Новое название провайдера:	ServusTV
Сервис ID:	4913	Флаг кодирования:	<input checked="" type="checkbox"/> Другой ID <input type="checkbox"/> 4913
PMT PID:	109	Service type:	25 - advanced coc Другой PID <input type="checkbox"/> 109
Private section PID:	92	Включено <input checked="" type="checkbox"/> Декодировать <input checked="" type="checkbox"/>	Другой PID <input type="checkbox"/> 92
H.264 Video PID:	3583	Включено <input checked="" type="checkbox"/> Декодировать <input checked="" type="checkbox"/>	Другой PID <input type="checkbox"/> 3583
MPEG2 Audio (ger) PID:	3584	Включено <input checked="" type="checkbox"/> Декодировать <input checked="" type="checkbox"/>	Другой PID <input type="checkbox"/> 3584
MPEG2 Audio (eng) PID:	3585	Включено <input checked="" type="checkbox"/> Декодировать <input checked="" type="checkbox"/>	Другой PID <input type="checkbox"/> 3585
AC-3 Audio (ger) PID:	3587	Включено <input checked="" type="checkbox"/> Декодировать <input checked="" type="checkbox"/>	Другой PID <input type="checkbox"/> 3587
Teletext PID:	3588	Включено <input checked="" type="checkbox"/> Декодировать <input checked="" type="checkbox"/>	Другой PID <input type="checkbox"/> 3588
PCR PID:	3583	Возрастной ценз:	Выкл

Рис. 22. Подробная информация о программе

"Название сервиса" и "Провайдер сервиса" можно редактировать (поддерживает многоязычные символы). „Флаг кодирования“ будет вводиться в SDT (Таблицу описания сервиса). Отмена данного чекбокса не декодирует содержание информации. Снятие галочки с этой кнопки-флажка не оказывает влияния на дескремблирование контента. Данная кнопка-флажок лишь несет информацию о состоянии скремблирования данной программы. Для включения данной программы в список дескремблирования или ее исключения из этого списка поставьте галочку или наоборот снимите ее в кнопке-флажке "Декодировать".

"Тип сервиса" ("Service type"): это поле 8-и битов, указывающее тип сервиса. Присвоение значения типа сервиса описано в EN 300 468. Он должен быть закодирован как показано на Рис. 23.

"Возрастной ценз": этот выбор позволяет возможность вывод содержания с определенным рейтингом зрелости. Например, поле "Возрастной ценз" установлен на "Меньше 6 лет", все каналы с рейтингом зрелости старше 6 лет будут отфильтрованы.

Тип сервиса	Описание
0	зарезервировано для будущего использования
1	сервис цифрового телевидения (см. примечание 1)
2	сервис цифрового радио звука (см. примечание 2)
3	сервис телетекста
4	NVOD справочный сервис (см. примечание 1)
5	NVOD time-shifted сервис (см. примечание 1)
6	mosaic сервис
7	FM радио сервис
8	DVB SRM сервис [49]
9	зарезервировано для будущего использования
10	расширенный сервис кодирования цифрового радио звука
11	H.264/AVC мозаичный сервис
12	сервис передачи данных
13	зарезервировано для общего использования интерфейса (CENELEC EN 50221 [37])
14	RCS Map (см. ETSI EN 301 790 [7])
15	RCS FLS (см. ETSI EN 301 790 [7])
16	DVB MHP сервис
17	MPEG-2 HD сервис цифрового телевидения
18 to 21	зарезервировано для будущего использования
22	H.264/AVC SD сервис цифрового телевидения
23	H.264/AVC SD NVOD сервис со временным сдвигом
24	H.264/AVC SD NVOD справочный сервис
25	H.264/AVC HD сервис цифрового телевидения
26	H.264/AVC HD NVOD сервис со временным сдвигом
27	H.264/AVC HD NVOD справочный сервис
28	H.264/AVC frame compatible plano-stereoscopic HD digital television service (см. примеч. 3)
29	H.264/AVC frame compatible plano-stereoscopic HD NVOD time-shifted service (см. примеч. 3)
30	H.264/AVC frame compatible plano-stereoscopic HD NVOD reference service (см. примеч. 3)
31	HEVC сервис цифрового телевидения (см. примечание 4)
32 to 127	зарезервировано для будущего использования
128 to 254	определяемый пользователем
255	зарезервировано для будущего использования

ПРИМЕЧАНИЕ 1: MPEG-2 SD материал должен использовать эти типы.

ПРИМЕЧАНИЕ 2: MPEG-1 Layer 2 аудио материал должен использовать эти типы.

ПРИМЕЧАНИЕ 3: для информации об использовании этих значений, см. пункт I.2.3 and ETSI TS 101 547-2 [54] (3D Guidelines of Frame Compatible 3D-TV).

ПРИМЕЧАНИЕ 4: для информации об использовании этих значений, см. пункт I.2.5 and ETSI TS 101 547-4 [62].

Рис. 23. Кодирование типа сервиса

Предусмотрена возможность деактивации отдельных потоков и перераспределения номеров пакетных идентификаторов (PID) в ручном режиме, поставив галочку в кнопке-флажке "Другой PID". Идентификатор должен быть уникальным, в противном случае их перераспределение будет выполнено в автоматическом режиме.

Для сохранения внесенных изменений нажмите на кнопку "Обновить".

ВНИМАНИЕ! При выборе режима прозрачной трансмодуляции все программы, передаваемые транспондером, включая исходные таблицы PAT, SDT, PMT, EIT, CAT, NIT, будут проходить до выхода без изменений, а любые изменения, внесенные пользователем в эти таблицы, будут проигнорированы. Убедитесь, что текущая скорость потока не превышает 95% максимальной скорости потока. В противном случае может происходить переполнение скорости потока.

6.5. Таблица сетевой информации (NIT)

В данном разделе предусмотрены несколько таблиц, описывающих параметры NIT информации. Таблица "Глобальные параметры TS" определяет следующие параметры потоков:

Глобальные параметры TS	
Идентификатор сети	<input type="text" value="12289"/>
Спецификатор личных данных (hex)	<input type="text" value="00000000"/>
Название сети	<input type="text" value="Ters"/>
<input type="button" value="Обновить"/>	

Рис. 24. Таблица "Глобальные параметры TS"

"Идентификатор сети" ("Network ID") - уникальный номер в пределах географического региона, заданного кодом страны. Для кабельной сети идентификатор обычно состоит из кода единичной страны плюс 0x2000 (8192). При подключении в сеть двух и более модуляторов они должны иметь один и тот же присвоенный идентификатор сети.

Значения идентификаторов в зависимости от Вашей страны и оператора сети приведены по ссылке ниже:

http://www.dvbservices.com/identifiers/network_id?page=1

"Спецификатор личных данных (hex)" ("Private data specifier (hex)") - может использоваться в таблице сетевой информации NIT для корректного описания номера логического канала LCN. Это значение описано в спецификации TS 101162. Стандарт NorDig требует использовать значение 00 00 00 29, а в Великобритании должно использоваться значение 00 00 23 3A. Другие значения спецификатора приведены по ссылке ниже:

http://www.dvbservices.com/identifiers/private_data_spec_id?page=1

Если данный параметр равен нулю, то он в таблице сетевой информации не указывается.

"Название сети" - название (имя) сети.

На второй таблице страницы указаны "ID транспортного потока" и "Первоначальный идентификатор сети" каждого канала (см. рис. 25). Каждому потоку в сети должен быть присвоен уникальный идентификатор, который называется "ID транспортного потока".

"Первоначальный идентификатор сети" определяется как «уникальный идентификатор сети» и может быть привязан к идентификатору сети либо принят по ссылке ниже:

http://www.dvbservices.com/identifiers/original_network_id?page=1

	Выходные параметры PC	Первоначальный идентификатор сети	ID транспортного потока
Выход 1	C21, 8MHz, QAM-64	<input type="text" value="272"/>	<input type="text" value="901"/>
Выход 2	C22, 8MHz, QAM-64	<input type="text" value="272"/>	<input type="text" value="950"/>
<input type="button" value="Обновить"/>			

Рис. 25. Идентификаторы транспортных потоков и первоначальные идентификаторы сети

Описание других потоков в сети				
Частота, МГц	Конstellация	Символьная скорость	Первоначальный идентификатор сети	ID транспортного потока
474.0	QAM-64	6875	9018	1
482.0	QAM-64	6875	9018	2
<input type="text"/>	<input type="text" value="QAM-64"/>	<input type="text"/>	<input type="text"/>	<input type="text"/>
<input type="button" value="Добавить"/>				

Рис. 26. Описание других потоков в сети

Каждый канал в сети должен быть описан в таблице сетевой информации NIT, в противном случае функция автоматической настройки каналов ТВ приемника окажется не в состоянии найти все каналы. Контроль всех модулей в сети будет осуществляться с использованием стандартного протокола SSDP. Регенерация таблиц сетевой информации будет выполняться в случае обнаружения каких-либо изменений в других модуляторах, имеющих одинаковой идентификатор сети. Убедитесь, что конфигурация маршрутизатора Ethernet обеспечивает пропускание пакетов SSDP (239.255.255.250:1900 и 239.255.255.246:7900), а все модули подключены к одной и той же сети Ethernet.

ВНИМАНИЕ! Если в сети PC существуют транспондеры, которые генерируются старыми трансмодуляторами/модуляторами TERRA, частоты и параметры модуляции должны быть заполнены вручную (Рис. 26).

6.6. PC выходы

В данном разделе предусмотрена возможность выполнить конфигурацию двух соседних каналов QAM (выход DVB-C). Каналы должны быть соседними и отсортированы по частоте (см. рис. 27). Каждый канал должен иметь свою собственную констелляцию (QAM-16/32/64/128/256) (выход DVB-C) и символьную скорость в пределах 3500 - 7200 Mbps. Обратите внимание, что при символьной скорости выше 6956 kSym/s происходит выход за пределы полосы 8 MHz, поэтому использовать такую символьную скорость следует с осторожностью.

	Констелляция	Символьная скорость	Выходная частота, МГц (Канал)	Аттенюатор, dB	Включено
Выход 1	QAM-256 ▼	6875	300.0 Man ▼	6 ▼ 0,5	<input checked="" type="checkbox"/>
Выход 2	QAM-256 ▼	6875	308.0 Man ▼	6 ▼ 0,00	<input checked="" type="checkbox"/>
Шаг			8.0 MHz ▼		

Обновить [Отметить все](#)

Рис. 27. Параметры PC выходов (DVB-C выход)

Параметр "Выходная частота" может быть введена вручную либо выбрана из выпадающего списка. Возможность выбора того или иного канала из списка зависит от выбранного региона (см. пункт **6.11.10 "Регионы"**). При необходимости задать другую частоту выберите вариант "Manual" (Вручную) и введите в поле значение требуемой частоты. Шаг частоты равен 0.1 MHz. Активация выходного канала выполняется путем постановки галочки в кнопке-флажке "Включено". Допустимая величина ослабления аттенюатора – не выше 15 dB. Также имеется индивидуальный точный аттенюатор до 2.5 dB с шагом 0.5 dB.

Для сохранения внесенных изменений нажмите на кнопку "Обновить". В случае изменения любого параметра модуляции выполняется перезагрузка обоих каналов с новыми настройками. Исключение составляет параметр "Аттенюатор", где изменения вступают без перезагрузки модулятора.

6.7. Настройки SNMP

Настройки SNMP	
Включить TRAP	<input type="checkbox"/>
Trap community	public
Read community	public
Write community	private
IP-адрес пре3	0.0.0.0
IP-адрес пре3	0.0.0.0
IP-адрес пре3	0.0.0.0
Download MIB file	
Обновить	

Таблица "Настройки SNMP" находится во вкладке "IP параметры".

Описание параметров конфигурирования протокола SNMP:

"Read Community" (Доступ в режиме чтения): Имя сообщества, используемое в качестве пароля несколькими SNMP-агентами и одним или несколькими SNMP-менеджерами. Пароль используется для доступа к параметрам модулей только в режиме чтения.

"Write Community" (Доступ в режиме записи): Пароль, используемый для доступа к параметрам модулей в режиме чтения/записи.

"Включить TRAP": Активация SNMP –ловушек, генерируемых агентами на управляемом устройстве. Для активации функции генерирования ловушек поставьте галочку в соответствующей кнопке-флажке таблицы. Модуль генерирует ловушки в случае формирования диагностического сообщения.

"TRAP Community" (Доступ к ловушкам): Пароль, используемый для доступа к ловушкам.

Host IP #1, Host IP #2 и Host IP #3: IP-адреса хост-узлов с SNMP-менеджерами, куда будут отправляться ловушки (TRAPS).

Рис. 28. Таблица "Настройки SNMP"

6.8 IP настройки

IP параметры	
MAC адрес	00:1C:A3:00:00:00
IP-адрес	192.168.1.10
Маска подсети	255.255.255.0
Шлюз	192.168.1.1
DNS	8.8.4.4
WEB порт	80
Обновить	

Таблица позволяет выполнять настройку всех IP параметров устройства, включая "IP-адрес", "Маска подсети", "Шлюз", "DNS" (Система имен доменов) (см. Рис. 29). Начиная с версии программного обеспечения 1.41, число «WEB порт» может быть изменен. По умолчанию 80. После изменения числа порта необходимо перезагрузить устройство. Все остальные параметры IP будут обновлены сразу после нажатия кнопки «Обновить» и будут перенаправлены на новое расположение.

ВНИМАНИЕ! IP адрес можно установить по умолчанию (192.168.1.10), нажав и удерживая кнопку "RESET" (сброс) по меньшей мере 3 сек. Светодиодные индикаторы Ethernet интерфейса активности [5] и соединения [6] начнет мигать информируя о том, что запрос на сброс IP адреса принят. Устройство перезапустится с IP адресом по умолчанию. Чтобы восстановить все параметры до значений по умолчанию (включая пароль), удерживайте кнопку еще 4 сек.

Рис. 29. Таблица "IP параметры"

По истечении этого времени начнет мигать зеленый индикатор, указывая на то, что команда «Восстановить настройки производителя» была принята. Теперь кнопку можно отпустить. При сбросе параметров загорится желтый индикатор. После этого устройство перезагрузится со всеми значениями по умолчанию.

6.9 "Настройки электронной почты"

Устройство обладает возможностью отправки электронной почтой отчетов в случае обнаружения ошибок с использованием протокола SMTP. На рис. 24 показаны параметры настройки электронной почты. Для активации механизма наблюдения за выявлением ошибок поставьте галочку в кнопке-флажке "Включить отчет об ошибках по электронной почте". В этом случае в течение установленного периода времени будет выполняться сбор всех выявленных ошибок и их пересылка по адресу электронной почты, указанному в поле "Адрес электронной почты получателя". Для пересылки отчета об ошибках нескольким получателям в поле необходимо ввести соответствующие адреса электронной почты через запятую-разделитель. Механизм отсчета времени включается при обнаружении первой ошибки и останавливается после отправки отчета электронной почтой.

Повторный пуск механизма в работу выполняется при обнаружении новой ошибки.

"Адрес электронной почты отправителя" может использоваться для опознавания SMTP-сервера.

Протокол SSL (SMTPS) не поддерживается.

Настройки электронной почты	
Включить отчет об ошибках по электронной почте	<input type="checkbox"/>
Сервер SMTP	192.168.1.1
Порт SMTP	25
Адрес электронной почты отправителя	no_reply@domain.com
Адрес электронной почты получателя	
Использовать авторизацию	<input type="checkbox"/>
Имя пользователя	admin
Пароль
Использовать TLS	<input type="checkbox"/>
Время накопления ошибок в минутах	5
Отправить тестовое сообщение	
<input type="button" value="Обновить"/>	

Рис. 30. Таблица "Настройки электронной почты"

6.10 Настройки модулей СА (модули условного доступа)

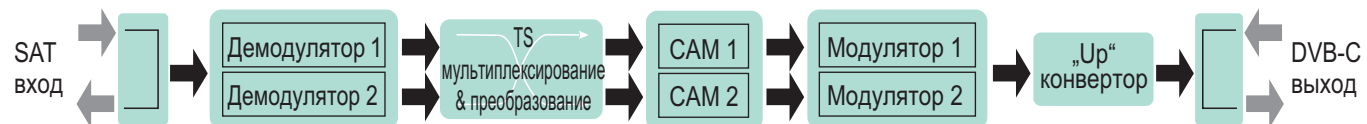
Настройки модулей СА	
Настройки модуля СА	Индивидуальные СА модули
Позиция модуля СА	На входе
Скорость транспортного потока на модуль СА	72.0Mbps
Алгоритм мультидескрипирования	Режим 1
Перезапустить модуль СА при ошибке декодирования	<input checked="" type="checkbox"/>
Leave CA descriptors in PMT	<input type="checkbox"/>
<input type="button" value="Обновить"/>	

Рис. 31. Конфигурирование модулей условного доступа

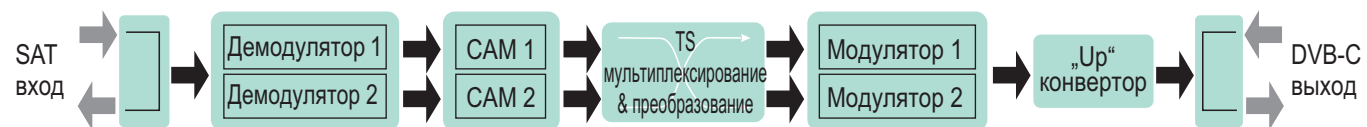
Параметры конфигурирования и информация о модулях условного доступа находятся в нескольких вкладках. Таблица "Настройки модулей СА" находится во вкладке "CAM conf". В таблице предусмотрена возможность активации функции перезагрузки модулей условного доступа в случае ошибки дескремблирования. Рекомендуется отключать эту функцию при использовании неактивированной карты условного доступа. Параметры "Настройки модуля СА" и "Позиция модуля СА" изменяет маршрут транспортного потока. Дескремблирование потоков канала 1 и канала 2 может быть выполнено раздельно (при выборе варианта "Индивидуальные СА модули") либо по последовательно на линии 1 или линии 2 (см. рис. 32). Местоположение модуля условного доступа может быть выбрано между вариантами на входе и на выходе.

Пример:

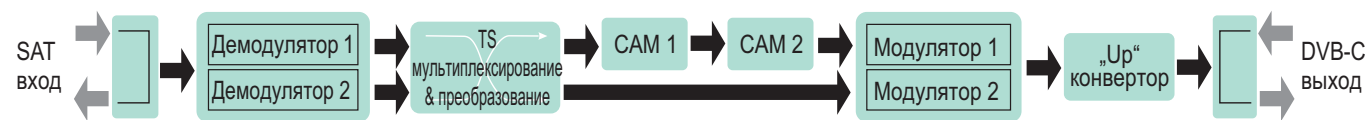
Параметр "Позиция модуля СА" установлен в положение на входе, а параметр "Настройки модулей СА" установлен в положение "Модули СА соединены последовательно в линии #1". При этом поток на входе в канал 1 будет проходить через CAM 1 и далее через CAM 2, затем он будет направлен в мультиплексор и далее в модулятор (см. рис. 32).



Позиция CAM на выходе, индивидуальные СА модули



Позиция CAM на входе, индивидуальные СА модули



Позиция CAM на выходе, СА модули последовательно в линии 1



Позиция CAM на выходе, СА модули последовательно в линии 2



Позиция CAM на входе, СА модули последовательно в линии 1



Позиция CAM на входе, СА модули последовательно в линии 2

Рис. 32. Конфигурирование модулей условного доступа

Содержание остальных таблиц зависит от вставленного модуля условного доступа (см. рис. 33). В таблице "Информация модуля СА" отображается общая информация о вставленном модуле. При отсутствии вставленного модуля в строке "Состояние" показывается сообщение "Модуль не вставлен", а остальные строки таблицы остаются пустыми. Если модуль вставлен, то в строке "Состояние" появляется сообщение "Инициализирован", а в остальных строках таблицы отображается информация, считанная системой с используемого модуля. Для иллюстрации на рис. 33 приведена таблица " Меню модуля СА", которая показывает вид меню для конкретного типа модуля. При нажатии на соответствующую кнопку открывается доступ к различным пунктам меню. Для возврата в предыдущее меню нажмите кнопку "Назад", а для выхода в стартовое меню нажмите кнопку "В начало".



Рис. 33. Таблицы "Информация модуля СА" и "Меню модуля СА"

6.11 Системное меню

Данная вкладка меню включает в себя следующие пункты подменю: "Журнал событий", "Экспортировать параметры", "Импортировать параметров", "Обновление прошивки", "Управление пользователями", "Восстановить настройки производителя", "Перезагрузить устройство", "Дата, Время" и "Язык".

6.11.1 Журнал событий

В таблице "Журнал событий" (см. рис. 34) регистрируются различные события, ошибки и предупреждения, возникшие при работе системы. Каждая запись сопровождается отметкой о ее типе, что позволяет отфильтровать необходимые сообщения. Для этого поставьте галочки в соответствующих кнопках-флажках в таблице "Фильтрация событий" и нажмите на кнопку "Применять".

При нажатии на кнопку "Стереть журнал" все записи в журналах будут удалены из системы.

При нажатии на кнопку "Экспортировать журнал" создается файл (log.html), который может быть загружен на компьютер пользователя.

Время наступления каждого события указывается в строке с его описанием. Порядок настройки параметров времени изложен в пункте 6.11.8 "Дата, Время".

Дата/Время		Тип события	Описание события
2017-06-12	08:10:21	Событие	СА модуль #1 инициализирован
2017-06-12	08:10:04	Событие	Модуль СА #1 вставлен
2017-06-12	08:09:46	Событие	Пользователь admin подключился
2017-06-12	08:08:53	Событие	Пользователь admin подключился
2017-06-12	08:08:42	Ошибка	Демодулятор 2 незахвачен
2017-06-12	08:08:42	Ошибка	Демодулятор 1 незахвачен
2017-06-12	08:08:32	Событие	ЕТН интерфейс управления активен: 100Base-TX full-duplex
2017-06-12	08:08:31	Событие	Произошла программная перезагрузка
2017-06-12	08:08:26	Событие	Restarting
2017-06-12	08:08:21	Событие	User admin logged in

Страница 1 Страница 2

Рис. 34. Таблица "Журнал событий"

6.11.2 Экспортировать параметры

Все настройки трансмодулятора могут быть сохранены в резервном файле или скопированы на другое устройство. Нажмите на кнопку "Экспортировать параметры" для загрузки на свой компьютер файла parameters.xml, который может быть импортирован на другой компьютер такого же типа.

6.11.3 Импортировать параметры

Экспортированные параметры могут быть импортированы обратно в устройство. Для этого нажмите на кнопку "Нажмите, чтобы выбрать файл" (см. рис. 35) и выберите файл, который Вы хотите загрузить.

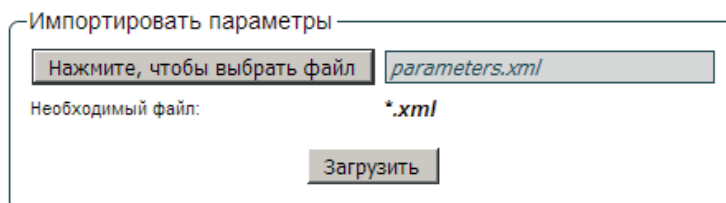


Рис. 35. Импортирование параметров

Далее нажмите на кнопку "Загрузить" для отправки файла на устройство. Обновление всех параметров выполняется в течение нескольких секунд после загрузки файла без необходимости перезагрузки устройства.

6.11.4 Обновление прошивки

Обновить встроенное программное обеспечение (ПО) устройства можно с помощью веб-браузера. Нажмите кнопку "Нажмите, чтобы выбрать файл" и выберите двоичный файл с соответствующим ПО. При выборе файла с актуальной версией нового ПО на экране будет показан ее номер, в противном случае появится сообщение об ошибке. Далее нажмите кнопку "Загрузить". Процесс загрузки ПО длится несколько секунд, а его продолжительность определяется размером загружаемого файла и скоростью сетевого соединения. Для визуального контроля хода загрузки на экран выводится индикатор выполнения загрузки файла. По окончании загрузки файла пользователю будет предложено выполнить перезагрузку устройства для установки обновлений. Перезагрузка выполняется в течение одной или более минут. Устройство включится в работу с новым установленным встроенным ПО, при этом все предыдущие параметры останутся неизменными. Для вступления в силу дополнительных возможностей нового ПО (если таковые имеются) может потребоваться их отдельная установка.

Во время перезагрузки устройства и установки нового ПО не отключайте устройство от сети питания.

Устройство обладает возможностью загрузки хронологии версий ПО и проверки наличия его новых версий. Для проверки наличия новых версий ПО нажмите на ссылку "Проверьте онлайн нет ли новой прошивки". Если Ваш компьютер (но не устройство!) имеет доступ к сети интернет, то на его экран будет выведен список всех версий ПО со ссылками для загрузки соответствующих двоичных файлов, которые могут быть загружены и сохранены на жестком диске компьютера (см. рис. 36). После этого выполните обновление ПО в порядке, указанном выше.

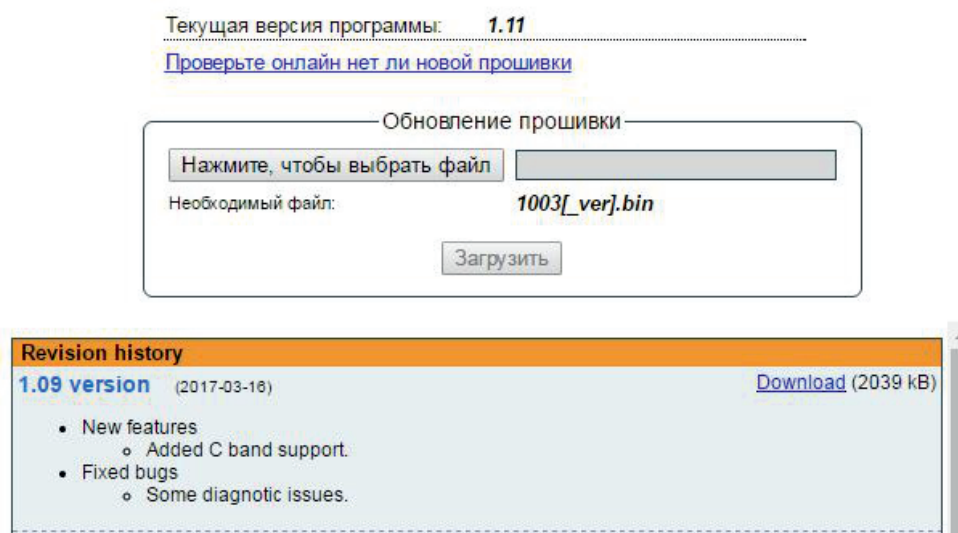


Рис. 36. Окно "Обновление прошивки"

6.11.5 Управление пользователями

Таблица "Изменение пароля" позволяет текущему пользователю изменить свой пароль. Длина пароля не должна превышать 16 символов. Введите текущий пароль, а затем новый пароль в поле "Новый пароль" и подтвердите его, повторив новый пароль в поле "Повторите новый пароль".

При входе в систему пользователь получает права администратора системы, в том числе право добавления новых пользователей (см. рис. 37).

The image shows two screenshots of a web interface. The left screenshot, titled "Изменение пароля", has a header bar with the same title. It contains four input fields: "Имя пользователя:" with the value "admin", "Текущий пароль:", "Новый пароль:", and "Повторите новый пароль:". Below these fields is a button labeled "Изменить". The right screenshot, titled "Управление пользователями", has a header bar with the same title. It contains two rows of user management controls. The first row has fields for "Имя пользователя:" (value "testuser"), "Пароль:", and "Роль:" (dropdown menu with "Пользовател" selected). To the right of these fields are two buttons: "Обновить" and "Удалить". The second row has fields for "Имя пользователя:", "Пароль:", and "Роль:" (dropdown menu with "Пользовател" selected). To the right of these fields is a button labeled "Добавить".

Рис. 37. Окно управления пользователями

Введите имя нового пользователя, его статус и нажмите на кнопку "Добавить".

Право управления другими пользователями предоставляется только администратору системы, имеющему соответствующий статус (admin).

ВНИМАНИЕ! При передаче Вашего личного пароля или учетной записи доступа третьему лицу Вы несете полную ответственность за любые изменения настроек модуля, которые могут быть сделаны таким лицом.

6.11.6. Восстановить настройки производителя

Все параметры, за исключением настроек управления пользователями и IP-адреса, после подтверждения могут быть восстановлены до заводских значений. Для восстановления настроек управления пользователями и IP-адреса по умолчанию нажмите на кнопку "RESET" (Сброс) (см. пункт 3, позиция 7). Восстановление всех параметров может длиться несколько секунд.

6.11.7. Перезагрузить устройство

Устройство можно перезагрузить после подтверждения данной операции. Альтернативным способом перезагрузки является нажатие на кнопку "RESET" (Сброс) во время работы устройства.

6.11.8. Дата, Время

Системное время может быть задано вручную либо принято с сервера NTP при условии, что модуль имеет доступ к такому серверу. Кроме того, предусмотрена возможность выбора источника времени из транспортного потока "Время от ТП", как показано на рис. 38.

The image shows a screenshot of a configuration table titled "Дата, Время". The table has a header bar with the title. Below the header, there are several rows of configuration options. The first row is "Системное время" with the value "2017-06-15, 09:18:55". The second row is "Часовой пояс" with a dropdown menu showing "GMT +3". The third row is "Источник времени" with three radio button options: "сервер NTP", "Ручная настройка", and "Время от ТП" (which is selected). The fourth row is "Авто DST" with a checkbox that is unchecked. The fifth row is "Time source" with a dropdown menu showing "Вход 2". At the bottom of the table is a button labeled "Обновить".

Рис. 38. Таблица "Дата, Время"

6.11.9. Язык

Устройство поддерживает работу на нескольких предустановленных языках. Изменение языка требует перезагрузки устройства, при этом все сообщения, ранее зарегистрированные в системе, остаются на предыдущем языке.

Предусмотрена возможность загрузки дополнительных языков, для чего необходимо связаться с нашими дистрибьюторами.

6.11.10. Регионы

Устройство поддерживает нескольких предустановленных регионов. Регион может быть изменен без необходимости перезагрузки устройства. Для изменения региона нажмите на кнопку "Изменить" в таблице "Информация об устройстве". Перечень доступных PC каналов определяется выбранным регионом.

Предусмотрена возможность загрузки дополнительных регионов, для чего необходимо связаться с нашими дистрибьюторами.

7. Технические характеристики

Тип		tdq420C / tdq420		ttq420C / ttq420		
РЧ вход	частотный диапазон (pr.)	950-2150 MHz		47-862 MHz		
	питание/управление конвертеров/предусилителя (pr.)	0/13/18 V & 22 kHz, 1 A** max. DiSEqC 1.0, EN50607, EN50494		12 V 100 mA		
	уровень/импеданс	45-85 dB μ V / 75 Ω		40-80 dB μ V / 75 Ω		
	коэффициент передачи входного ответвления	-1 \pm 1 dB		0 \pm 1 dB		
	стандарт (pr.)	DVB-S	DVB-S2*	DVB-T	DVB-T2	DVB-C
	модуляция	QPSK	QPSK, 8PSK APSK 8/16/32	QPSK, QAM16, QAM64	QPSK, QAM16, QAM64, QAM256	QAM16, QAM32, QAM64, QAM128, QAM256
	ширина полосы (pr.)	-	-	7 MHz, 8 MHz	7 MHz, 8 MHz	-
	скорость цифров. потока (pr.)	2 \div 45 Ms/s	2 \div 45 Ms/s	-	-	1 \div 7.2 Ms/s
	коэффициент избыточности	1/2, 2/3, 3/4, 5/6, 7/8	QPSK 1/2, 3/5, 2/3, 3/4, 4/5, 5/6, 8/9, 9/10 8PSK 3/5, 2/3, 3/4, 5/6, 8/9, 9/10	1/2, 2/3, 3/4, 5/6, 7/8	1/2, 3/5, 2/3, 3/4, 4/5, 5/6	-
	спад	35 %	20 %, 25 %, 35 %	-	-	15 %
РЧ выход	стандарт	DVB-C / J.83B				
	модуляция (pr.)	QAM16/QAM32/QAM64/QAM128/QAM256 (DVB-C), QAM64/QAM256 (J.83B)				
	частотный диапазон	100 - 858 MHz, by step 100 kHz				
	частотный план ТВканалов	соседние каналы				
	уровень/импеданс	90 \pm 2 dB μ V / 75 Ω				
	возвратные потери	\geq 14 dB at 47 MHz; -1.5 dB/на октаву, но не меньше 10 dB				
	уровень помех	< -60 dB				
	MER	\geq 40 dB				
	ширина полосы (pr.)	4...8.3 MHz				
	скорость цифров. потока (pr.)	3.5 \div 7.2 MS/s				
	спад	15 %				
	обработка сигнала	EN 300 429, J.83 A (Annex A)				
	диапазон регулирования суммарного сигнала выходного уровня (pr.)	0 \div -15 dB by 1 dB step				
	частотный диапазон вых. ответвления/потери	47-2150 MHz / \leq 2.5 dB				
Параметры трансп. потока	макс. скорость потока	выход 53 Mbps				
	макс. число PID'ов в фильтре	неограничено				
Порт управления	standard IEE802.3 10/100 Base T					
Напряжение питания	12 V -1 V					
Потребляемая мощность без питания внешних устройств	550 mA		650 mA			
Потребляемая мощность с макс. внешней нагрузкой	3 A		0.8 A			
Потребляемая мощность с макс. внешней нагрузкой и двумя CAM	3.6 A	-	1.1 A	-		
Диапазон рабочих температур	0 $^{\circ}$ \div +50 $^{\circ}$ C					
Габариты/Вес (в упаковке)	48.5x198x112 mm/0.9 kg					

* поддерживает скремблирование на физическом уровне (PLS) и несколько входных потоков (MIS); ** только в версиях v.1 и v.2

(pr.) переключается программным путем