

1. Product description

HDMI encoder with IP output (in text - module) designed to encode into H.264 standard and broadcast in multicast on an IP network the services (TV programs) issued from HDMI input. The IP streams can be viewed using an IPTV set-top box or a software video player.

Module is intended for indoor use only.

2. Characteristics

Input: Three HDMI inputs.

Output: Three IP-encapsulated services (TV programs), encoded in H.264 standard, with individual multicast addresses.

- Generating of DVB tables.
- UDP & RTP transmission protocols.
- Web interface for configuration and setting.
- SNMP agent for monitoring and alarms.
- SAP & SDP protocols that facilitate automatic service selection on the user's STB and provide information to external servers.
- PID configuration.
- PSI/SI configuration.
- PAT, PMT and SDT table generation.
- Configurable QoS marking.
- Configurable Time To Live.

3. Safety instructions

Installation of the module must be done according IEC60728-11 and national safety standards.

Any repairs must be made by skilled personnel.


Avoid placing the module next to heat sources such as central heating components or in areas of high humidity.


If the module has been kept in cold conditions for a long time, bringing it into a warm environment may cause condensation, so allow it to warm up for no less than 2 hours before plugging into the mains.

Ventilation should not be impeded by covering the module, such as newspapers, table-cloths, curtains etc.

Mount the module in a vertical position only. If installing in a 19" rack system additional forced air cooling fans may be required (see table "**Technical specifications**" - operating temperature range).

Always allow 10 cm of free space from the top, front and bottom of the unit to enable any heat to be dissipated.

 This product complies with the relevant clauses of the European Directive 2002/96/EC. The unit must be recycled or discarded according to applicable local and national regulations.

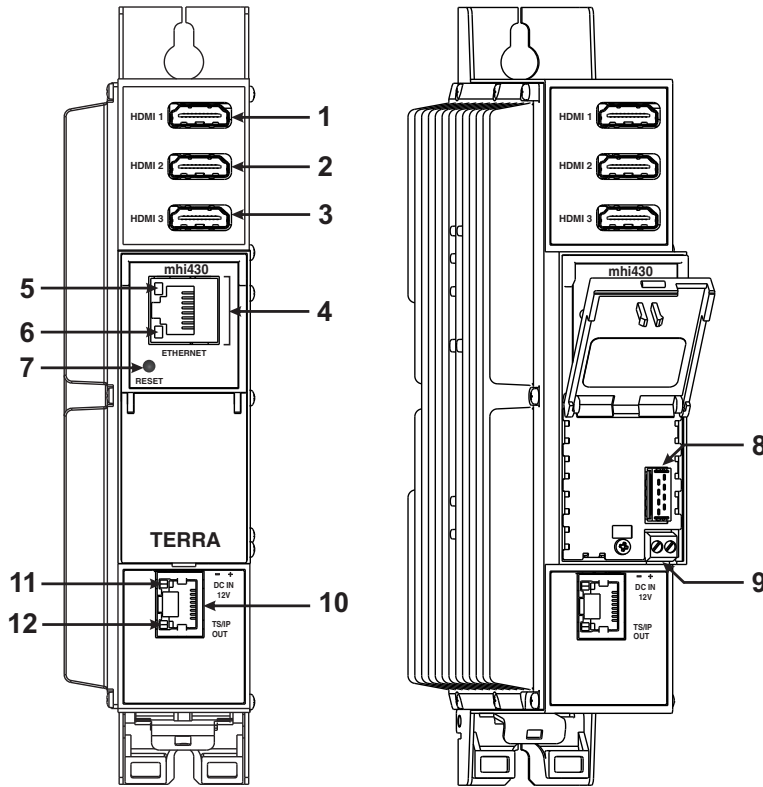
 Equipment intended for indoor usage only.

 This product is in accordance to following norms of EU: EMC norm EN50083-2, safety norm EN IEC62368-1, RoHS norm EN50581.

 This product is in accordance with Custom Union Technical Regulations: "Electromagnetic compatibility of technical equipment" CU TR 020/2011, "On safety of low-voltage equipment" CU TR 004/2011.

 This product is in accordance with safety standard AS/NZS 60065 and EMC standards of Australia.

4. External view



- 1, 2, 3** - HDMI 1, HDMI 2, HDM 3 input connectors.
- 4** - **ETHERNET** - control over Ethernet interface. RJ-45 socket.
- 5** - LINK/ACTIVITY (yellow) indicator of the Ethernet interface.
- 6** - STATUS (green) indicator.
- 7** - **RESET** button.
- * Press this button shortly to restart the module.
- * Press this button for more than three seconds to set the default IP address of control over Ethernet interface. Administrator password will be changed to the default value as well.
- 8** - Power distribution bus connector.
- 9** - +12 V DC powering input. Screw terminal.
- 10** - **TS/IP OUT** - streaming Ethernet interface. RJ45 socket.
- 11** - ACTIVITY (yellow) indicator of the streaming Ethernet interface.
- 12** - LINK (green) indicator of the Ethernet interface.

Figure 1. External view of the encoder

5. Installation instructions

Read the safety instruction first.

All settings can be made using the web browser via control Ethernet interface.

Disconnect power supply unit from the mains before make all connections of modules.

Connect all necessary HDMI, powering and control cables. Shielded cable is recommended for Ethernet connection.

Connect power supply in to the mains.

Within 5-20 seconds of powering the module will run in normal operation mode.

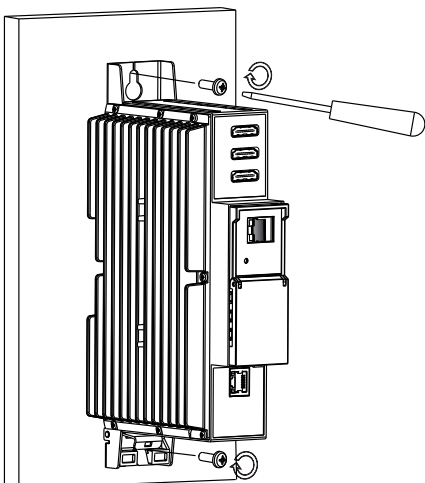
Comments of the Ethernet interface indicators:

- if the link with the control Ethernet interface is established - the LINK/ACTIVITY indicator [5] blinks;
- when module operating, the STATUS indicator [6] blinks at frequency about one time per second;
- if the link with the streaming Ethernet interface is established - the LINK indicator [12] glows.

6. MOUNTING

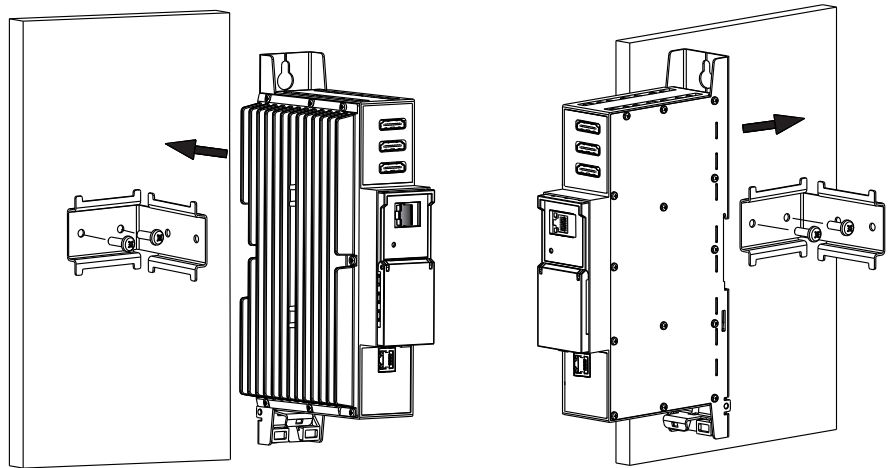
Mount the module on DIN RAIL or individual holder. The module or mounting bracket must be fixed with steel screws Ø 3.5-4 mm. The screws are not included in a package. Mounting bracket on DIN rail should be connected to main potential equalization bus.

Mounting on a wall by screws



Perpendicular to the wall

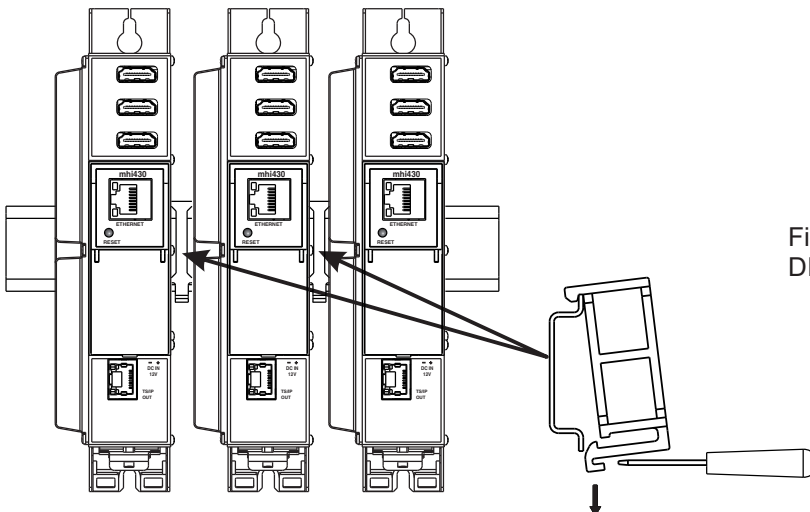
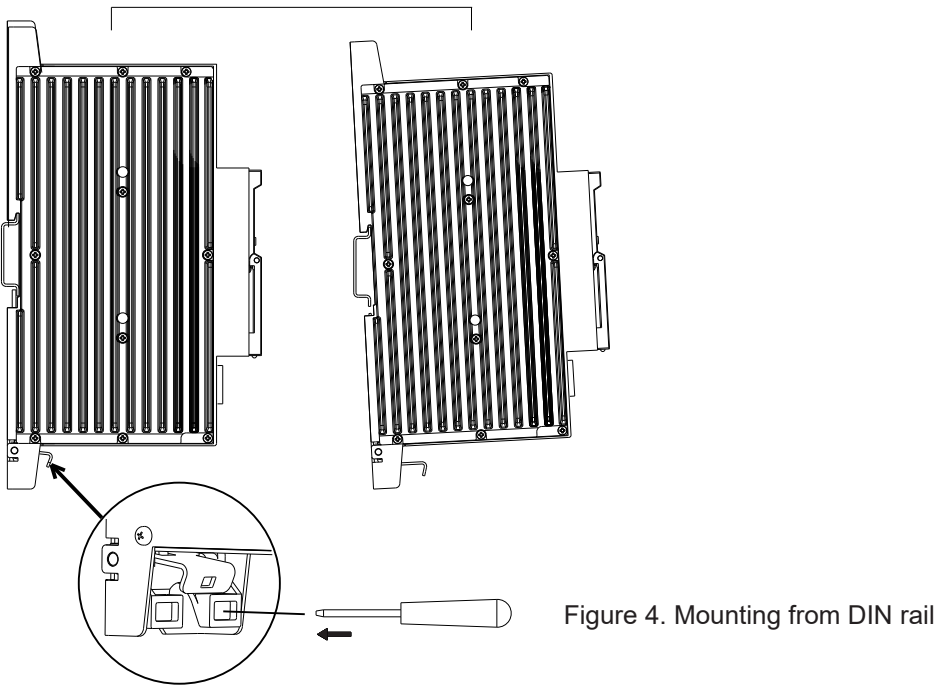
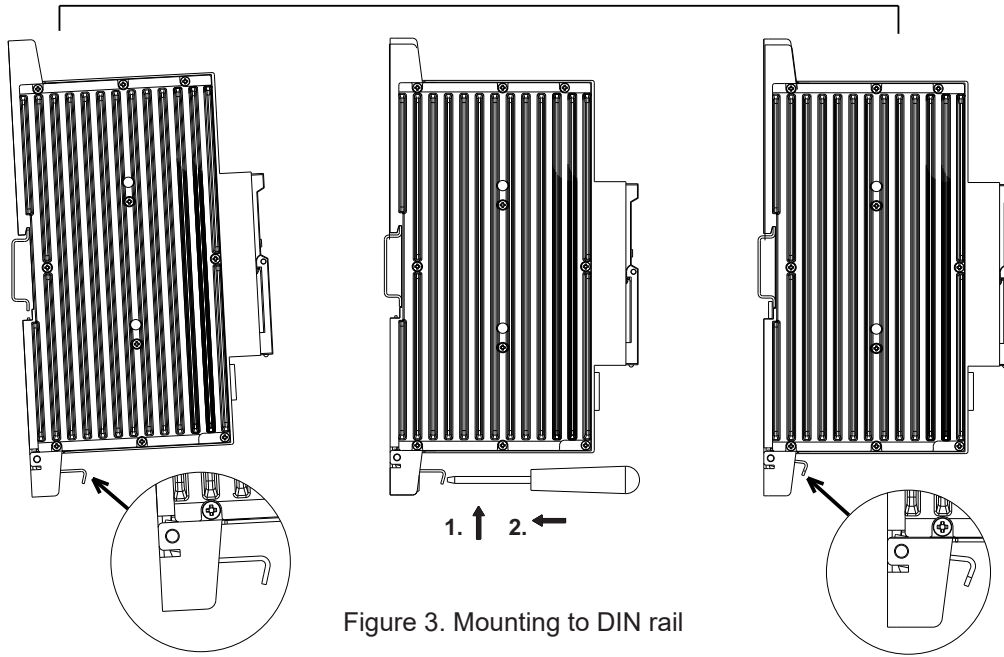
Mounting on a bracket (supplied)



Parallel to the wall

Figure 2. Mounting of the encoder

Mounting on DIN rail



7. Operating

7.1 Initial configuration

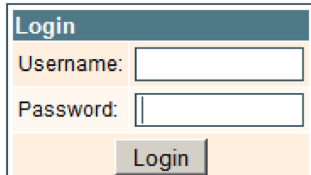
All modules leave the factory with this control Ethernet interface IP address: **192.168.1.10**. In order to avoid conflicts with other IP addresses, it is necessary to perform an initial configuration in local mode. Subsequently, it will be possible to access the modules via the local area network (LAN), either to re-programme it or to check its operating status.

The modules leave the factory with the following Control Ethernet interface TCP/IP configuration:

IP address of the module: **192.168.1.10**

Subnet mask: **255.255.255.0**

Default Gateway: **192.168.1.1**



To access each module, use a PC or MAC personal computer equipped with an Ethernet card and RJ-45 cable (CAT-5E or CAT-6). The IP address of the PC/MAC must be configured within the following range: 192.168.1.2 - 192.168.1.254 (do not use 192.168.1.10, since this is the IP address of the module to be configured). To start the configuration of the module, open your web browser and type in the following direction: <http://192.168.1.10>. The login prompt will appear on the screen (see Figure 6.). Module can be controlled using any web browser. The exception is Internet Explorer, which must be 10.0 version or higher.

Figure 6. Login prompt

Access to the site is protected by user name and password. The default user name and password is **admin**. Enter the user name and password and click on "**Login**" button.

Note: the default password - **admin** - can (and must) be changed as explained on section **7.6.5**.

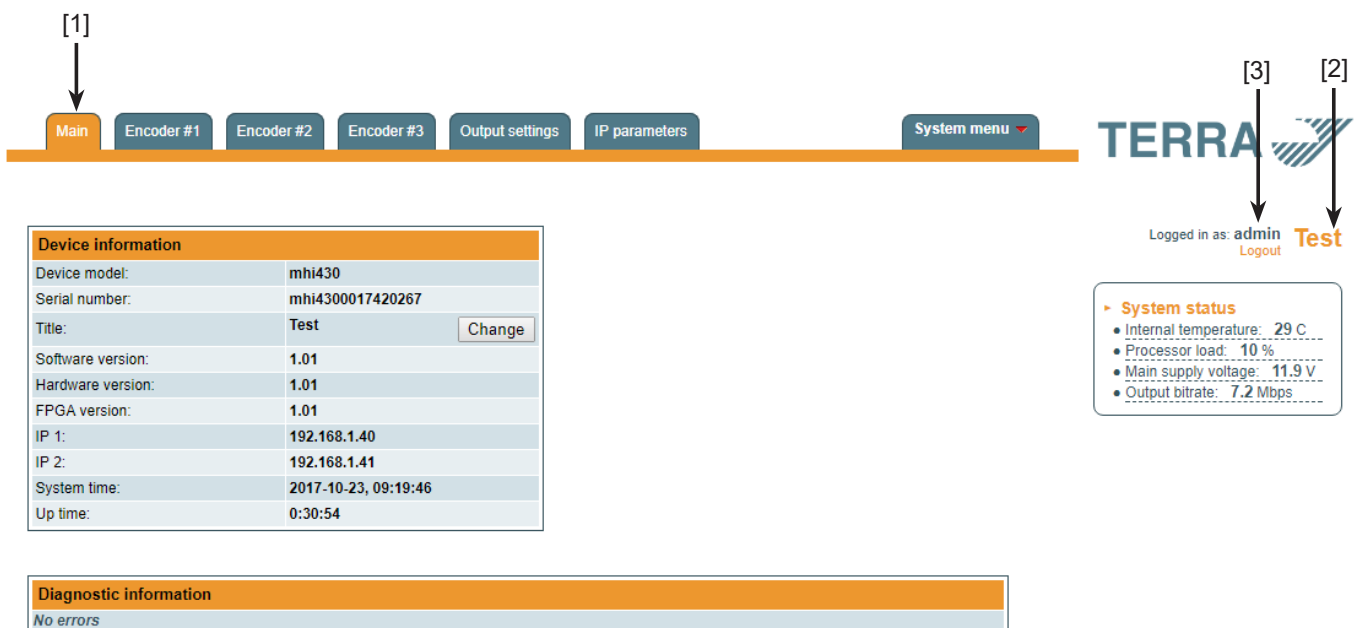
During initial configuration you need to change the default control and streaming Ethernet interfaces TCP/IP configuration as explained on section **7.5**.

Control interface IP address reset to default procedure: press the "RESET" [7] button (Figure 1) for more than 3 seconds and release it. After this operation the control interface IP address will be set to **192.168.1.10**, user name and password set to **admin**.

7.2 General configuration

Initial program screen

The first screen that appears when the module accessed contains the "Main" window, which gives general information on the device.



Device information	
Device model:	mhi430
Serial number:	mhi4300017420267
Title:	Test <input type="button" value="Change"/>
Software version:	1.01
Hardware version:	1.01
FPGA version:	1.01
IP 1:	192.168.1.40
IP 2:	192.168.1.41
System time:	2017-10-23, 09:19:46
Up time:	0:30:54

System status

- Internal temperature: 29 C
- Processor load: 10 %
- Main supply voltage: 11.9 V
- Output bitrate: 7.2 Mbps

Diagnostic information

No errors

Figure 7. General information screen

In the top of each configuration screen you will see a main menu tabs [1].

Using it, you can switch between the different configuration menus. The tab highlighted in yellow shows which menu is active at a given moment. The "System menu" tab contains several submenu.

Also common elements for all screens is module title [2] and login information strings [3]. The module title can be changed after pressing the "Change" button in the "Device information" table. Pressing on the "Logout" string you can logout from module control.

Device information table

This shows the data of module:

“Device model”: model of the module.

“Serial number”: serial number of the module.

“Software version”: module software version number.

“Hardware version”: module hardware version number.

“FPGA version”: module FPGA firmware version number.

“IP 1”: IP address of the control interface.

“IP 2”: IP address of the streaming interface.

“System time”: current time, synchronized from the time source set in the “System menu”→ “Date Time” submenu, see section 7.6.8.

“Up time”: time passed from last power-up or restart of the module.

In the "System status" table the following parameters are displayed at real time: internal temperature in degrees of Celsius, processor load in percentages, power voltage in Volts, output bit rate in Mbps.

In the "Diagnostic information" table all module errors and comments how to eliminate these errors are displayed.

Diagnostic information	
Streaming ETH interface link down	Check Ethernet cable and switch

Figure 8. Diagnostic information table with errors

7.3 Encoder #1-3

This screen consists of two tables with appropriate encoder media settings and streaming settings.

Figure 9. "Encoder #1-3" screen

7.3.1. "Media settings" table

The "Media settings" table consists of following parameters:

"Enable" – used to enable/disable the appropriate encoder. When the “Enable” parameter is set to “Off”, all rest parameters in table are disabled.

"Video resolution mode": "Auto" or "Manual". When set to "Auto", output resolution of the encoded signal is the same as input resolution. When set to "Manual", you can set output resolution of the encoded video signal manually in the next line of the table.

"Video resolution" - setting of output resolution of the encoded video signal, when the "Video resolution mode" parameter is set to "Manual".

"Maximum total bitrate" - programmatic restriction of maximum total output total bitrate. Can be set in the range 1000 - 30000 Kbps. In case, when the error message "Channel bitrate overflow" appears in the logs - increase this parameter.

"Video encoding bitrate" - the bitrate of H.264 encoded video stream in Kbps. Can be set in the range 500 – 25000 Kbps. For the best quality of encoded video stream it is recommended to set bitrate at maximum.

"Audio encoding standard" – used to select between MPEG2 or AAC audio encoding standard.

"Audio encoding bitrate" - the bitrate of encoded audio stream in Kbps. Can be set in the range 32 – 320 Kbps.

Once the different data values have been entered, click on “Update” to conclude the media settings.

7.3.2. "Streaming settings" table

The "Streaming settings" table consists of following parameters:

"Service title"- enter a service name of the output stream.

"Service provider" - enter a provider name of the output stream.

"Original network ID" - enter a unique identifier of a broadcast platform operator.

"Transport stream ID" - enter an identifier of a TS within an original network.

"Service ID" - enter an identifier which serves as a label to identify this service from any other service within the TS.

"Program map table PID" - a Program map table (PMT) identifies and indicates the locations of the streams that make up each service and the location of the Program Clock Reference fields for a service. Enter a packet identifier (PID) of PMT.

"Video/PCR PID" - enter a PID of output video and program clock reference (PCR) stream.

"Audio PID" - enter a PID of output audio stream.

"IP address" - the multicast address required for the stream to be added. The available range is from 224.0.0.0 to 239.255.255.255, but it is recommended to reduce it from 224.0.1.0 to 238.255.255.255.

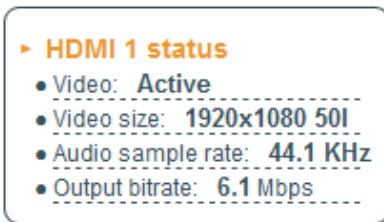
"IP port" - the IP port required for the stream to be added. The default value is 1234.

"SAP/SDP group" - enter a name of SAP group to which you want to link the service.

"SAP/SDP channel number" - enter the order number you want to assign to the service on the subscriber's set-top box or reproducer, if the device supports SAP.

Once the different data values have been entered, click on "Update" to conclude the streaming settings.

7.3.3. HDMI #1-3 status table



The following information is displayed in HDMI #1-3 status table:

"Video": "Active" - corresponding HDMI input is enabled and connected, "No signal" - corresponding HDMI input is enabled and not connected, "Inactive" - corresponding HDMI input is disabled.

"Video size" - size of input video signal in pixels and frame rate of video signal.

"Audio sample rate" - sample rate of input audio signal.

"Output bitrate" - bit rate of output stream.

Figure 10. "HDMI status" table

7.4. Output settings



Figure 11. "Output settings "

This screen consists of two tables: "Streaming settings" and "SAP/SDP settings". The "Streaming settings" table is used specify common streaming parameters to all output streams. The "SAP/SDP settings" table is used to configure the announcement and service description SAP/SDP channel.

7.4.1. Streaming settings table

This table is used specify common streaming parameters to all output streams.

This table consists of following lines:

"Protocol" - the drop down menu offers two options: UDP and RTP/UDP. UDP is a transport protocol which is not connection oriented and is particularly useful for streaming. RTP/UDP adds extra data fields so that the data flow is served at the correct speed for its projection in real time.

"TS packet count" - count of the MPEG2 TS packets in the UDP packet. Can be selected from one to seven. It is recommended to select the value of seven packets.

"Time To Live" - a parameter used to restrict the stream multicasting range. A number between 1 and 255 is entered in this box. Each time that an IP stream passes through a router, the TTL is reduced by one unit. The stream will be rejected by any router when the TTL value is reduced to zero.

"QoS" - quality of Service. The drop down list offers five differentiated service options or Diffserv. These options relate to the priority that you wish to assign to the streaming packets on their routes through switches or routers that are QoS management capable.

QoS values:

- 1 - Top priority
- 2 - High priority video
- 3 - Low priority video
- 4 - Video and voice
- 5 - Best effort (best effort made to correctly deliver the video data and the associated audio data)

"Send IGMP query messages" - enable of the IGMP query messages transmitting. Enable this function when the streaming output of module is connected to the manageable Ethernet switch with IGMP snooping support. In order for IGMP snooping to function, a multicast router must exist on the network and generate IGMP queries. The tables created for snooping are associated with the querier. Without a querier the tables are not created and snooping will not work. When the IGMP query messages send enabled, the module acts as the multicast router. It is sufficient to enable the IGMP query in one module per one Ethernet switch.

Once the different data values have been entered, click on "Update" to conclude the streaming settings.

7.4.2. SAP/SDP settings table

This table is used to configure the announcement and service description SAP/SDP channel. SAP and SDP are two protocols for creating an EPG type program guide.

- "Enable" - check the box if you wish to transmit the service information by SAP/SDP protocol.
- "Sending period" - introduce the time interval, in seconds, at which the transmitted information will refresh.
- "Username" - the name entered will be transmitted on the SAP/SDP channel.
- "IP address" - multicast address of SAP/SDP messages. It is need to be changed only when your IP receiving equipment use different address.

7.5. IP parameters

This screen (Figure 12) consists of four tables: "Control interface IP parameters", "Streaming interface IP parameters", "SNMP settings", "E-mail settings". The IP parameters tables are used to configure Ethernet connection parameters of both interfaces.

The screenshot displays four configuration tables for IP settings:

- Control interface IP parameters:**
 - MAC address: 00:1C:A3:00:38:BA
 - IP address: 192.168.1.40
 - Subnet mask: 255.255.255.0
 - Gateway: 192.168.1.1
 - DNS: 8.8.8.8
 - Update button
- Streaming interface IP parameters:**
 - MAC address: 00:1C:A3:00:38:BB
 - IP address: 192.168.1.41
 - Subnet mask: 255.255.255.0
 - Gateway: 192.168.1.1
 - Enable WEB control from streaming interface:
 - Update button
- SNMP settings:**
 - Enable TRAP:
 - Trap community: public
 - Read community: public
 - Write community: private
 - Trap IP address 1: 0.0.0.0
 - Trap IP address 2: 0.0.0.0
 - Trap IP address 3: 0.0.0.0
 - Download MIB file (link)
 - Update button
- E-mail settings:**
 - Enable e-mail error report:
 - SMTP server: 192.168.1.1
 - SMTP port: 25
 - Sender e-mail address: no_reply@domain.com
 - Receiver e-mail address: (empty)
 - Use authentication:
 - Username: (empty)
 - Password: (empty)
 - Use TLS:
 - Timeout for errors in minutes: 5
 - Send test message (link)
 - Update button

Figure 12. IP settings screen

7.5.1. Control and streaming interfaces IP parameters

The description of the "IP parameters" tables rows.

"MAC Address" - the physical address of the module's Ethernet network card is displayed automatically.

"IP Address" - enter the IP address that you wish to assign to the module. This address must fall within the range of local network addresses.

"Subnet mask" - enter the local network mask.

"Gateway" - enter the IP address of this gateway. This information is only required if you want to access the module from the Internet.

"DNS" – address of domain name server.

It is possible to control the module via streaming interface. Check the "Enable WEB control from streaming interface" checkbox to enable this function. **NOTE:** for security reasons WEB control from streaming interface should be disabled.

NOTE: Press the "RESET" button [7] for more than three seconds to set default IP address of the control Ethernet interface (see Figure 1 "External view of the module").

7.5.2. SNMP settings table

The description of the "SNMP settings" table rows.

"Enable TRAP" - SNMP traps are alerts generated by agents on a managed device. Check this box to enable TRAP generation. The encoder generates traps when the diagnostic message occurs.

"Read community" - community name acts as a password that is shared by multiple SNMP agents and one or more SNMP managers. The "Read Community" password is used for read-only access to encoder parameters.

"Write Community" - is the password used for read-write access to encoder parameters.

"TRAP Community" - is the password used for accessing of TRAPS.

"Trap IP address 1-3" - IP addresses of hosts with SNMP managers, where TRAPS will be send.

7.5.3. E-mail settings table

The device can send e-mail reports if errors were detected. SMTP protocol is used for that. "E-mail-settings table" shows parameters related to this feature. "Enable e-mail error report" checkbox enables error monitoring. All errors within "timeout" period will be gathered, and send to the e-mail address, provided in "Receiver e-mail address" input box. Comma separated e-mail addresses can be used to send report to multiple addresses. The timer will be started as soon, as the first error is detected, and stopped when e-mail is sent. The timer will be restarted again if a new error will appear. "Sender e-mail address" can be used as authentication in the SMTP server side. SSL (SMTPS) protocol is not supported.

7.6. System menu

This menu tab contains following submenu items: "Event logs", "Export parameters", "Import parameters", "Firmware upgrade", "User management", "Restore defaults", "Reset the device", "Time, Date", "Language". Mouse over to show the list of this submenu.

7.6.1. Event logs

Various important events, errors, warnings will be logged into the system, see Figure 13 "Event logs". Each record has an event type, which can be used to filter particular messages. Just select checkboxes in the „Logs filtering“ table and press „Apply“. Other messages will be hidden.

„Erase logs“ button will erase all logs from the system.

„Export logs“ button forms the file (log.html) which will be downloaded to PC.

Each record has a log time when the event appeared. Refer to 7.6.8 "Date and time settings" for instructions how to configure time settings.

Export logs		Erase logs
Date/Time	Event type	Event description
2017-10-23 09:30:10	Event	User admin logged in
2017-10-23 09:22:57	Event	User admin logged in
2017-10-23 09:22:56	Event	User admin logged out
2017-10-23 09:15:13	Event	Streaming ETH interface link up: 100Base-TX full-duplex
2017-10-23 09:15:05	Error	Streaming ETH interface link down
2017-10-23 09:14:36	Event	Streaming ETH interface link up: 100Base-TX full-duplex
2017-10-23 05:49:42	Event	User admin logged in
2017-10-23 05:49:12	Event	User admin logged in
2017-10-23 05:49:02	Error	Streaming ETH interface link down
2017-10-23 05:48:56	Event	System time updated
2007-01-01 00:00:07	Event	Control ETH interface link up: 100Base-TX full-duplex
2007-01-01 00:00:07	Event	Power off/on restart occurred
2007-01-01 00:00:16	Error	Streaming ETH interface link down
2007-01-01 00:00:07	Event	Power off/on restart occurred
2007-01-01 00:01:18	Warning	Control ETH interface link down
2007-01-01 00:01:14	Event	All parameter values has been reset to default

Figure 13. Event logs

7.6.2. Export parameters

All settings of encoder can be exported for backup or copying to another device. Press “Export parameters” and “parameters.xml” file will be downloaded to PC. This file can be imported only to the same type of device.

7.6.3. Import parameters

Exported parameters can be imported back to the device. Press onto “Click to select file” button (see Figure 14 "Import parameters") to select exported file.

The screenshot shows a web interface titled "Import parameters". At the top left is a button labeled "Click to select file". To its right is a text input field. Below the input field, the text "Expected file name: *.xml" is displayed. At the bottom center of the interface is a button labeled "Upload".

Figure 14. Import parameters

Press “Upload” button to send the file to the device. It will take several seconds to update all parameters after file upload. After that, device will function with new configuration. No restart is required.

7.6.4. Firmware upgrade

Device firmware can be upgraded via web browser. Press the “Click to select file” button and select firmware binary file. If valid file was selected, a version number of new firmware will be displayed. Otherwise an error message will appear. Press the “Upload” button to upload new firmware to the device. Upload progress bar will appear and may take several seconds to upload, depending on the size of a file and a network connection speed. A message will be displayed asking to restart the device when the file was sent to the device. New firmware will be programmed into the device only after restart. It may take additional minute or more to flash new program. Device will start up with a new firmware and continue to operate with previous parameters. Additional new firmware features (if any) may need to setup additionally to take effect.

Avoid power supply interruption when a programming process is going on.

Device has possibility to load software revision history and check availability for new software release. Click the “Check online” link. If computer (not device!) has internet access, it will show a list of all software releases with links to binary files. Binary file can be downloaded and saved to computer (see Figure 15 "Firmware upgrade"). After that, use the firmware upgrade method as described above.

Current software version: **1.01**

[Check online for new software release](#)

Firmware upgrade

Expected file name: **1038XX[_ver].bin**

Revision history

1.01 version (2017-10-23) [Download \(1153 kB\)](#)

- New features
 - Initial revision

Figure 15. Firmware upgrade

7.6.5. User management

User may change a password here. Length of the password is up to 16 symbols. Type current password and double enter new password to change it.

If logged in user has admin role, new users can be added (see Figure 16 "User management").

Change password	
Username:	<input type="text" value="admin"/>
Current password:	<input type="password"/>
New password:	<input type="password"/>
Repeat new password:	<input type="password"/>
<input type="button" value="Modify"/>	

User management			
Username:	Password:	Role:	<input type="button" value="Add"/>
<input type="text" value="admin"/>	<input type="password" value="....."/>	<input type="text" value="User"/> ▾	

Figure 16. User management

Enter it's username, password, select a role and press „Add“ button.

Only administrator (user with a role „admin“) may manage other users.

NOTE: By giving your personal password or user access account for another person, you take full responsibility for all module settings modifications made by that person or anyone else they may give the password to.

7.6.6. Restore defaults

All parameters will be restored back to factory defaults after confirmation. The exception – IP address and users – these parameters will be unchanged. To restore IP address and system password to system defaults, see „RESET“ button at section 3, pos.7.

Several seconds can take to restore all parameters, so be patient.

7.6.7. Restart the device

Device will be restarted after confirmation to do it. This is an alternative to pressing a „RESET“ button when the device is operating.

7.6.8. Date, Time

System time can be configured manually or taken from NTP server (only if module can access NTP server).

Date, Time	
System time	2017-10-23, 11:01:48
Time zone	GMT +3
Date and time source	<input checked="" type="radio"/> NTP server <input type="radio"/> Manual setup <input type="radio"/> Time from TS
NTP server	pool.ntp.org
Update	


Figure 17. "Date, Time" settings table

7.6.9. Language

Device control panel supports several preinstalled languages. A change of language requires system restart. Note, that all previously logged records will remain in previous language.

Additional languages can be installed under request. Contact our distributors for such possibility.

8. Requirements for external power supply unit

- Output voltage $12\text{ V} \pm 0.5\text{ V DC}$
- Ripple at single and/or double mains frequency $< 10\text{ mV p-p}$
- Ripple & noise $< 100\text{ mV p-p}$
- Short circuit protection
- Double insulated (marked )
- Meet EN 55022 class B conducted emissions requirements, measuring with grounded load

Technical specifications

Type	mhi430	
Video input	input signal type	HDMI
	video coding	MPEG-4 AVC/H.264, Baseline profile 4.0
	input resolution	up to 1920x1080-60p
	output resolution	up to 1920x1080-30p
Audio input	input signal type	HDMI
	standard	MPEG-1 Layer II, AAC
	audio bit rate	64, 96, 128, 192, 256, 320, 384 kbps
H.264 Encoder	standard	MPEG-4 AVC/H.264
	bit rate	0.5-25 Mb/s adjustable
	configurable parameters	Service Name, Service ID, Video PID, Audio PID, PMT PID, PCR PID
IP output	standard	IEEE802.3 10/100 Base T
	bit rate	up to 100 Mbps
	transmission protocols	UDP/RTP
	multicast	Yes
	MPTS	No
	SPTS	Yes
Supply voltage	$12\text{ V} \pm 1\text{ V}$	
Current consumption	700 mA max.	
Operating temperature	$0^{\circ}\text{C} \div +50^{\circ}\text{C}$	
Dimensions/Weight (packed)	48.5x198x112 mm/0.9 kg	

1. Описание изделия

HDMI кодер с IP выходом (в дальнейшем - модуль), предназначен для кодирования в стандарте H.264 и многоадресного потокового транслирования в IP-сети сервисов (TV программы) принимаемых от HDMI входа. Просмотр IP-потоков возможен с использованием IPTV-телевизионной приставки либо программного видеоплеера.

Модуль предназначен работать в закрытом помещении.

2. Характеристики

Вход: Три HDMI входа.

Выход: Три IP-инкапсулированные теле- и радиопрограмм программы, кодированные в стандарте H.264, с собственными групповыми адресами.

- генерирование таблиц DVB;
- поддержка протоколов управления передачи данных UDP и RTP;
- веб-интерфейс для режимов конфигурирования и настройки;
- SNMP-агент для наблюдения и сигнализации о необычном событии;
- поддержка протоколов SAP и SDP, облегчающих автоматический выбор программ в телевизионной приставке абонента и поставляющих внешним серверам информацию о программе;
- PID конфигурация;
- PSI/SI конфигурация;
- регенерирование таблиц PAT, PMT и SDT;
- конфигурируемые уровни качества обслуживания (QoS);
- конфигурируемое время жизни пересылаемого пакета (TTL).

3. Инструкция по электробезопасности

Инсталляция модуля должна быть проведена в соответствии с требованиями IEC60728-11 и национальных стандартов безопасности.

Ремонтировать модуль может только квалифицированный персонал.

Не устанавливайте модуль в местах, где есть возможность попадания брызг или капель воды.

Не устанавливайте модуль вблизи приборов отопления, а также в помещениях повышенной влажности.

После длительного хранения модуля при низкой температуре, необходимо перед включением выдержать его в теплом помещении не менее двух часов.

Не закрывайте модуль посторонними предметами, напр. газетами, шторами;

При инсталляции крепите модуль в вертикальном положении. При инсталляции модуля в 19" коммутационную стойку, может понадобится дополнительный вентиляторный блок для охлаждения модулей (см. таблицу "**Технические характеристики**" - Диапазон рабочих температур.)

Сверху, спереди и снизу установленного модуля должно быть не менее 10 см свободного пространства.



Данный продукт соответствует требованиям Европейской Директивы 2002/96/ЕС. Устройство должно быть переработано или утилизировано в соответствии с местными и региональными правилами.



Оборудование предназначено работать в закрытых помещениях.



Данный продукт соответствует следующим нормам Европейского Союза: электромагнитной совместимости EN50083-2, безопасности EN IEC62368-1 и RoHS EN50581.



Данный продукт соответствует требованиям технических регламентов Таможенного Союза: "Электромагнитная совместимость технических средств" ТР ТС 020/2011, "О безопасности низковольтного оборудования" ТР ТС 004/2011.



Данный продукт соответствует нормам безопасности по стандарту AS/NZS 60065 и нормам электромагнитной совместимости по стандартам Австралии.

4. Внешний вид

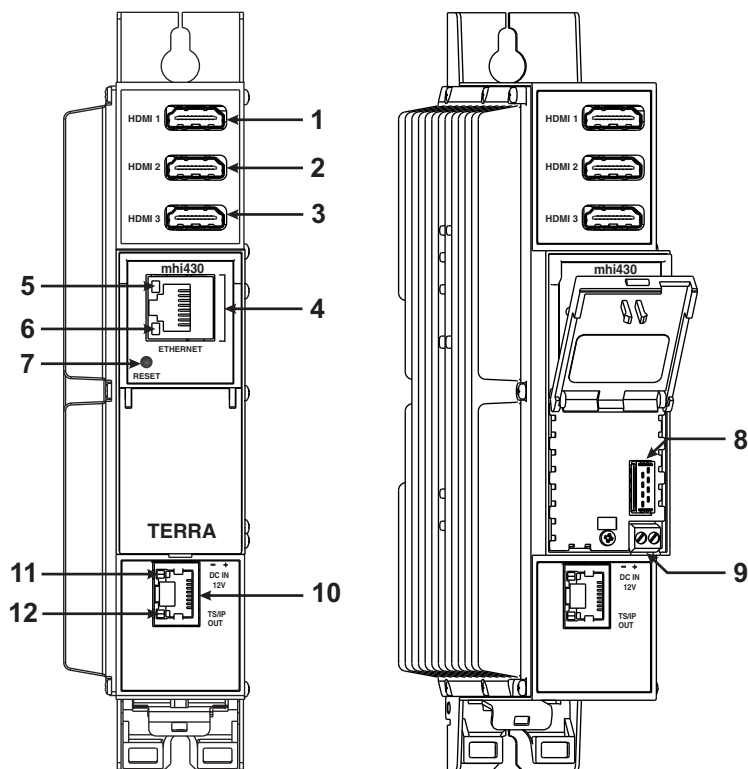


Рис 1. Внешний вид кодера

1, 2, 3 - HDMI 1, HDMI 2, HDMI 3 входные разъемы.

4 - Разъем RJ45 управляющего интерфейса Ethernet.

5 - Светодиодный индикатор активности (желтый) управляющего интерфейса Ethernet.

6 - Индикатор состояния (зеленый).

7 - Кнопка **RESET (Сброс)**:

* При однократном коротком нажатии кнопки выполняется перезагрузка модуля.

* При однократном нажатии и удержании кнопки более трех секунд выполняется установка стандартного IP-адреса управляющего интерфейса Ethernet. Пароль администратора также будет изменен на заводское значение.

8 - Разъем шины питания.

9 - Напряжения питания +12 V (винтовой разъем).

10 - TS/IP OUT - разъем RJ45 потокового интерфейса Ethernet.

11 - Светодиодный индикатор активности/соединения (желтый) потокового интерфейса Ethernet.

12 - Светодиодный индикатор соединения (зеленый) управляющего интерфейса Ethernet.

5. Порядок установки модуля и выполнения подключений

Прочитайте указания по соблюдению мер безопасности при выполнении работ по подключению устройства.

Все настройки могут быть выполнены через управляющий интерфейс Ethernet с использованием веб-браузера.

До начала работ по подключению модуля отключите блок питания от питающей сети.

Подключите все HDMI, питающие и управляющие кабели. Рекомендуется использовать экранированный Ethernet кабель.

Подключите модуль к питающей сети.

Через 5-20 секунд после подключения модуль должен начать работать в нормальном эксплуатационном режиме.

Показания светодиодных индикаторов:

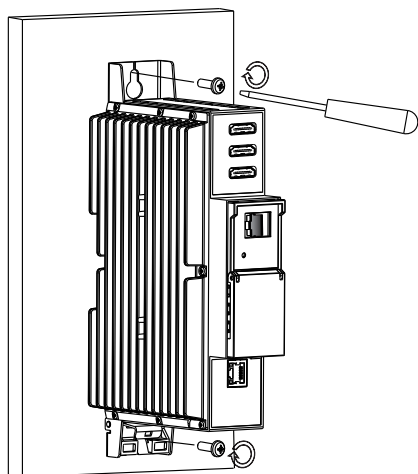
- при установлении соединения с управляющим интерфейсом Ethernet индикатор соединения/активности [5] горит мерцающим светом (мигает);
- при наличии входного сигнала индикатор состояния [6] горит мерцающим светом (мигает) с интервалом примерно один раз в секунду;
- при установлении соединения с потоковым интерфейсом Ethernet загорается индикатор соединения [12].

6. Крепление

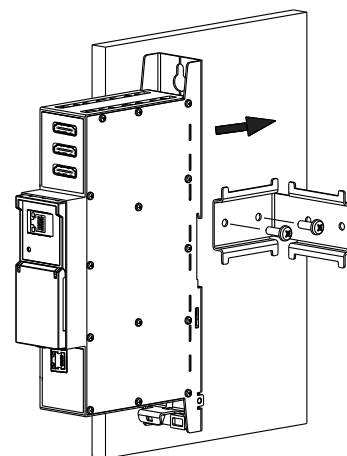
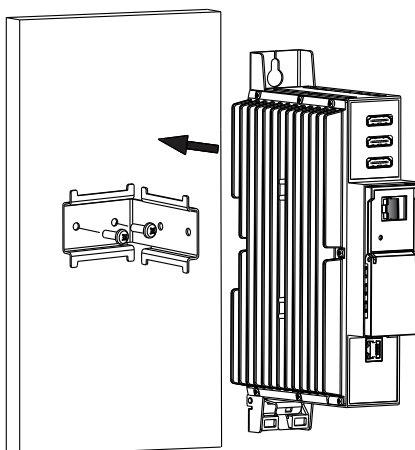
Прикрепите модуль или угольник к стене стальными болтами или саморезами диаметром 3.5-4 мм. Крепежные элементы не входят в комплект поставки. Угольник или планка "DIN rail" должны быть подсоединены к основной шине выравнивания потенциалов.

Крепление к стене саморезами

Крепление на угольнике (входит в комплект поставки)



Перпендикулярно к стене



Параллельно к стене

Рис. 2. Крепление кодера

Крепление к планке "DIN rail"

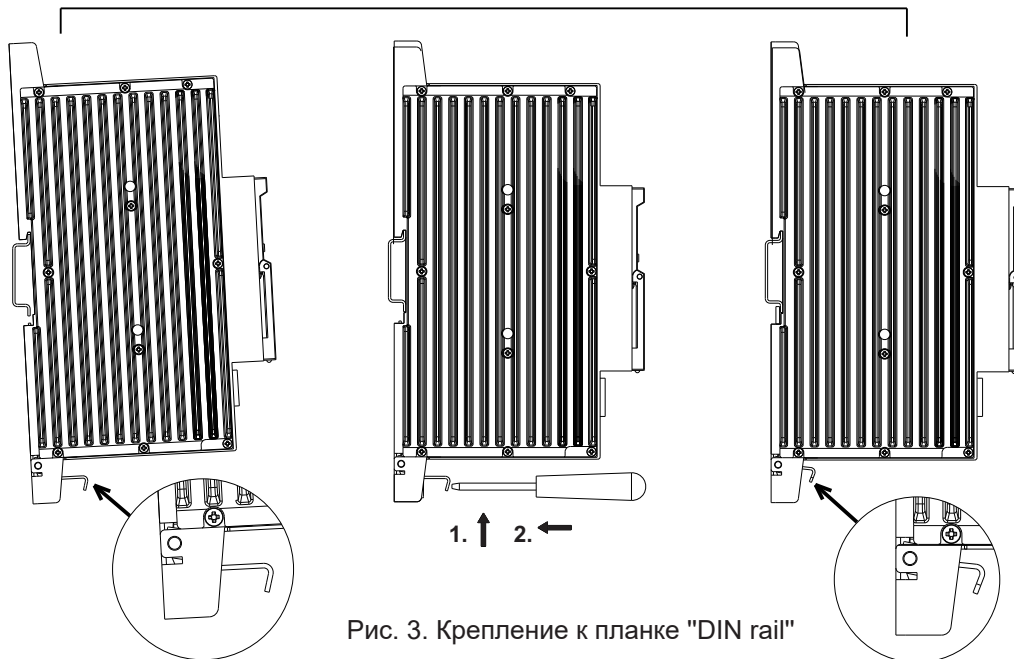
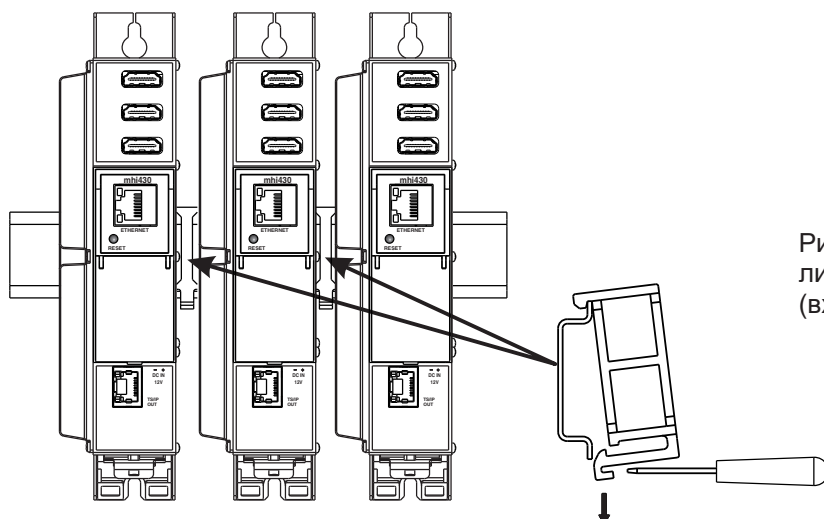
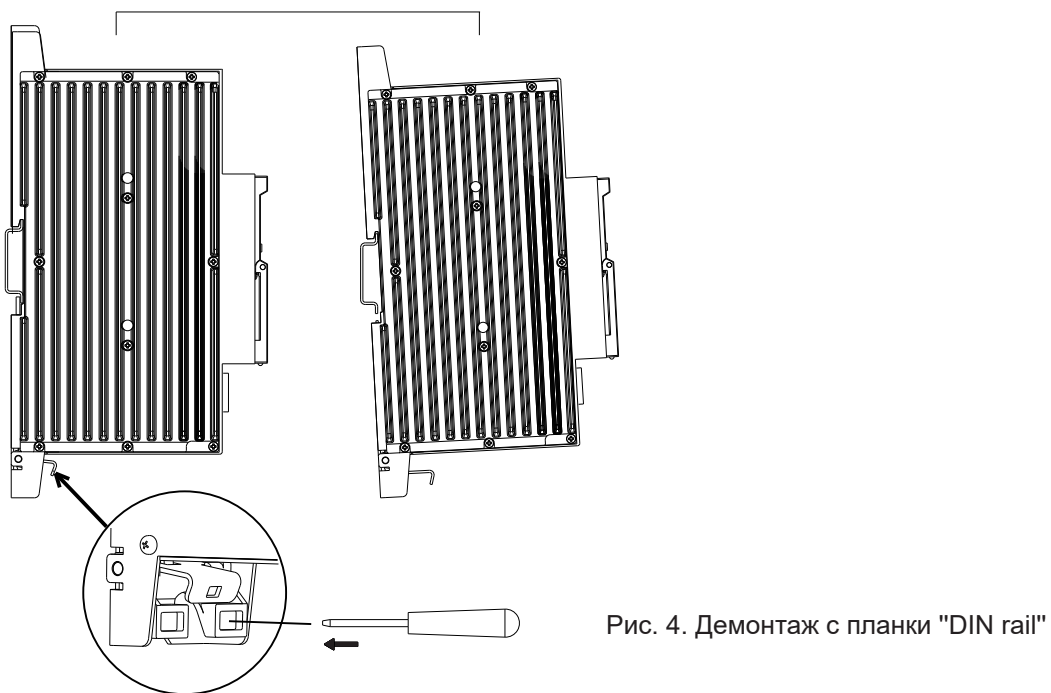


Рис. 3. Крепление к планке "DIN rail"



7. Порядок работы с модулем

7.1 Начальная конфигурация

На всех модулях установлен следующий стандартный IP-адрес управляющего интерфейса Ethernet: **192.168.1.10**. В целях избегания конфликта с другими IP-адресами необходимо выполнить начальную конфигурацию в локальном режиме. В дальнейшем будет обеспечена возможность доступа к модулям по локальной сети для их перепрограммирования или проверки рабочего состояния.

Стандартная конфигурация протоколов TCP/IP управляющего интерфейса Ethernet:

IP-адрес модуля (IP address of the module): **192.168.1.10**

Маска подсети (Subnet mask): **255.255.255.0**

Шлюз по умолчанию (Default Gateway): **192.168.1.1**

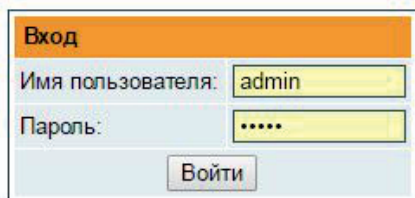


Рис. 6. Окошко с запросом входа в систему

Для доступа к каждому модулю используйте любой персональный компьютер или персональный компьютер семейства Apple Macintosh, оснащенный Ethernet-адаптером и кабелем RJ-45 категории CAT-5E или CAT-6. IP-адрес компьютера должен быть назначен в следующем диапазоне: 192.168.1.2 - 192.168.1.254 (не использовать значение 192.168.1.10, так как оно является IP-адресом конфигурируемого модуля). Для начала процесса конфигурации модуля откройте веб-браузер и наберите в адресной строке следующий IP-адрес: <http://192.168.1.10>. На экране появится окошко с запросом входа в систему (см. рис. 6.). Модуль можно управлять с помощью любого веб-браузера, исключением является Internet Explorer, который должен быть 10.0 версии или выше.

Доступ к сайту защищен паролем и именем пользователя. Имя пользователя и пароль по умолчанию: **admin**. Введите их в соответствующие поля и нажмите на кнопку "Войти".

Внимание! Пароль - **admin** - по умолчанию может и должен быть сменен в порядке, изложенном в пункте **7.6.5**.

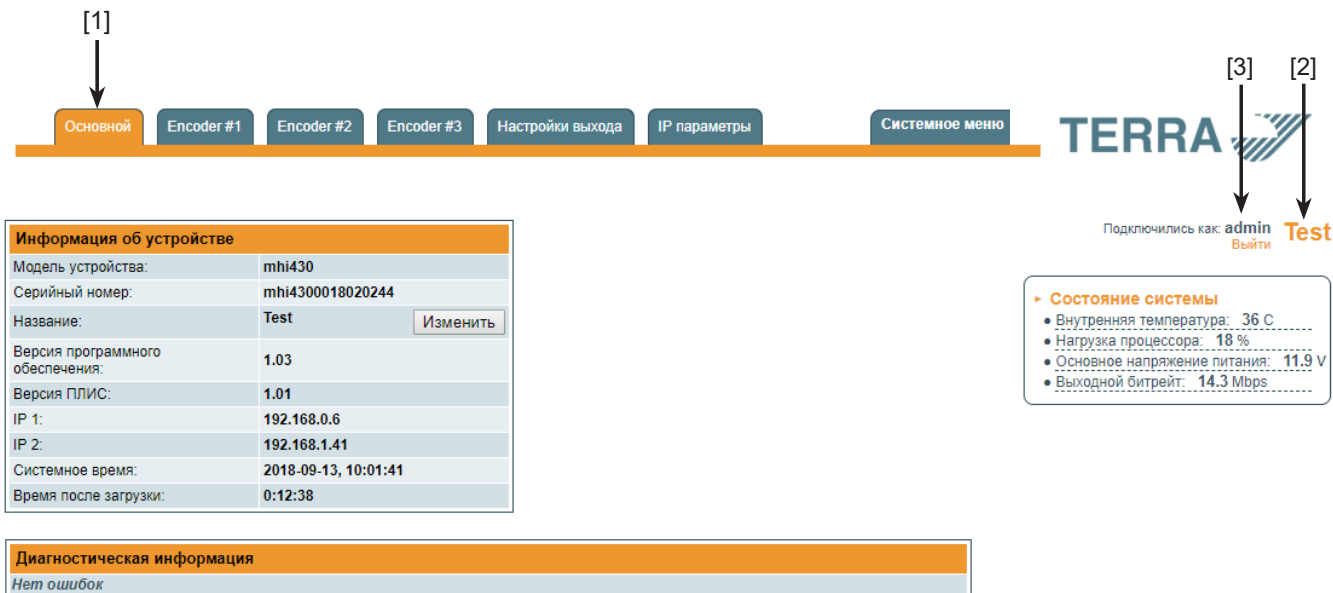
В ходе начальной конфигурации необходимо изменить стандартные настройки протоколов TCP/IP управляющего и потокового интерфейсов Ethernet в порядке, изложенном в пункте **7.5**.

Порядок сброса IP-адреса управляющего интерфейса на адрес по умолчанию: нажмите и удерживайте в течение не менее трех секунд кнопку RESET (Сброс) [7], а затем отпустите ее. При этом будет выполнена установка IP-адреса управляющего интерфейса на значение **192.168.1.10**, а имени пользователя и пароля – на **admin**.

7.2 Общая конфигурация

Начальный экран программы

Первый экран, который появляется после входа в систему, содержит главное окно программы с общей информацией об устройстве.



Информация об устройстве	
Модель устройства:	mhi430
Серийный номер:	mhi4300018020244
Название:	Test <input type="button" value="Изменить"/>
Версия программного обеспечения:	1.03
Версия ПЛИС:	1.01
IP 1:	192.168.0.6
IP 2:	192.168.1.41
Системное время:	2018-09-13, 10:01:41
Время после загрузки:	0:12:38

Диагностическая информация	
Нет ошибок	

Рис. 7. Экран с общей информацией об устройстве

В верхней части каждого экрана конфигурации находятся вкладки [1] главного меню, с помощью которых можно переключаться между различными меню конфигурации устройства. Меню, которое активно в данный момент, выделено на экране желтым цветом. Вкладка "System menu" (Системное меню) содержит несколько вложенных подменю.

Общим элементом всех экранов является наличие строки с названием модуля [2] и строк с данными входа в систему [3]. Название модуля может быть изменено путем нажатия кнопки "Change" (Изменить) в таблице "Device information" (Сведения об устройстве). При нажатии на строку "Logout" (Выход) выполняется выход пользователя из системы управления модулем.

Таблица "Информация об устройстве"

В таблице указываются следующие сведения о модуле:

"Модель устройства". Модель модуля.

"Серийный номер". Серийный номер модуля.

"Версия программного обеспечения". Номер версии программного обеспечения модуля.

"Версия ПЛИС": номер версии прошивки ПЛИС.

"IP 1". IP-адрес управляющего интерфейса.

"IP 2". IP-адрес потокового интерфейса.

"Системное время". Текущее время, синхронизированное по таблице TDT входного потока. Величину сдвига местного времени можно задать во вкладке "Системное меню" → "Дата, Время" (см. пункт 7.6.8).

"Время после загрузки". Время, прошедшее с момента последнего включения питания или перезагрузки модуля.

В таблице "Состояние системы" в режиме реального времени отображаются следующие параметры: внутренняя температура в °C, нагрузка на процессор в процентах от полной, основное напряжение питания в вольтах, скорость выходного потока в Mbps.

В таблице "Диагностическая информация" показываются все ошибки при работе модулей и рекомендации по их устранению.

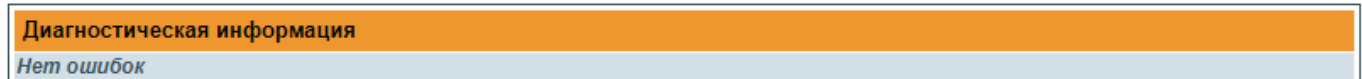


Рис. 8. Таблица "Диагностическая информация", отображающая ошибки, возникшие при работе модуля

7.3 Encoder #1-3

Экран состоит из двух таблиц с соответствующими видео/аудио настройками и настройками потоковой передачи.

Видео/Аудио настройки	
Включено	Включено
Установка видеорежима	Авто
Разрешение видео	1920x1080
Максимальный общий битрейт	30000 Kbps
Битрейт кодирования видео	14000 Kbps
Стандарт кодирования аудио	MPEG2
Битрейт кодирования аудио	192 Kbps
Обновить	

Установки потока	
Название сервиса	LTV HD
Провайдер сервиса	mhi430
Первоначальный идентификатор сети	65280
ID транспортного потока	1000
Service ID	1
PID таблицы PMT	101
Video/PCR PID	102
Audio PID	103
IP-адрес	239.192.10.1
IP порт	1234
Группа SAP/SDP	HD
SAP/SDP номер канала	1
Обновить	

Подключились как: admin Test
Выйти

HDMI 1 статус

- Видео: **Активный**
- Размер видео: **1920x1080 50i**
- Частота дискретизации аудио: **48 KHz**
- Выходной битрейт: **14.2 Mbps**

Figure 9. "Encoder #1-3" screen

7.3.1. Таблица "Видео/Аудио настройки"

Таблица "Видео/Аудио настройки" состоит из следующих параметров:

"Включено" - используется для включения / выключения соответствующего кодера. Когда параметер "Включено" установлен на "Выкл.", все остальные параметры в таблице выключаются.

"Установка видео режима": "Авто" или "Ручная". В режиме "Авто" разрешение кодированного видео сигнала совпадает с разрешением входного видео сигнала. В режиме "Ручная" разрешение кодированного видео сигнала можно установить вручную в следующей строке.

"Разрешение видео" - установка разрешения кодированного видео сигнала, когда "Установка видео режима" - ручная.

"Максимальный общий битрейт" - программное ограничение максимального общего выходного битрейта. Может быть установлен в диапазоне 1000 - 30000 Kbps. Если в журнале событий появляются ошибки "Переполнение битрейта в канале", увеличьте этот параметер.

"Битрейт кодирования видео" - битрейт видеопотока кодированного H.264 в Kbps. Может быть установлен в диапазоне 500 - 25000 Kbps. Для наилучшего качества кодированного видеопотока рекомендуется установить максимальный битрейт.

"Стандарт кодирования аудио" - для выбора между стандартом кодирования аудио MPEG2 или AAC.

"Битрейт кодирования аудио" - битрейт кодированного аудиопотока в Kbps. Может быть установлен в диапазоне 32-320 Kbps.

После ввода разных значений данных нажмите "Обновить", чтобы завершить настройки.

7.3.2. Таблица "Установки потока"

Таблица "Установки потока" состоит из следующих параметров:

"Название сервиса" - введите имя сервиса выходного потока.

"Провайдер сервиса" - введите имя провайдера выходного потока.

"Первоначальный идентификатор сети" - введите уникальный идентификатор оператора трансляции.

"ID транспортного потока" - введите идентификатор транспортного потока.

"Service ID" - введите идентификатор, который выделяет этот сервис из других сервисов данного транспортного потока.

"PID таблицы PMT" - таблица программ (PMT) определяет место нахождения потоков, которые составляют каждый сервис и место нахождения опорного таймера программы (PCR). Введите идентификатор (PID) таблицы PMT.

"Video/PCR PID" - введите идентификатор (PID) видео потока и опорного таймера программы (PCR).

"Audio PID" - введите идентификатор (PID) аудио потока.

"IP-адрес" - многопунктовый адрес, который необходимо добавить для потока. Имеющийся диапазон от 224.0.0.0 до 239.255.255.255, но рекомендуется его уменьшить от 224.0.1.0 до 238.255.255.255.

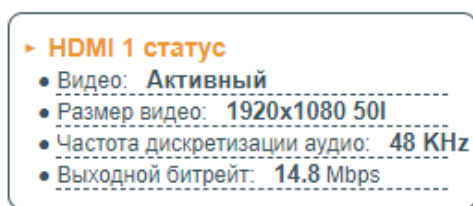
"IP порт" - IP порт, который необходимо добавить для потока. Значение по умолчанию 1234.

"Группа SAP/SDP" - введите название SAP группы.

"SAP/SDP номер канала" - введите порядковый номер, который хотите назначить сервису на телеприставке абонента или производителя, если устройство поддерживает SAP.

После ввода разных значений данных нажмите "Обновить", чтобы завершить настройки.

7.3.3. Таблица "HDMI #1-3 статус"



Следующая информация отображается в таблице "HDMI # 1-3 статус:

"Видео": "Активный" - соответствующий вход HDMI включен и подключен,

"Нет сигнала" - соответствующий вход HDMI включен и не подключен,

"Неактивный" - соответствующий вход HDMI отключен.

"Размер видео" - размер входного видео сигнала в пикселях и частота кадров видео сигнала.

"Частота дискретизации аудио" - частота дискретизации входного аудио сигнала.

"Выходной битрейт" - битовая скорость выходного потока.

Рис 10. Таблица "HDMI 1 статус"

7.4. Настройки выхода

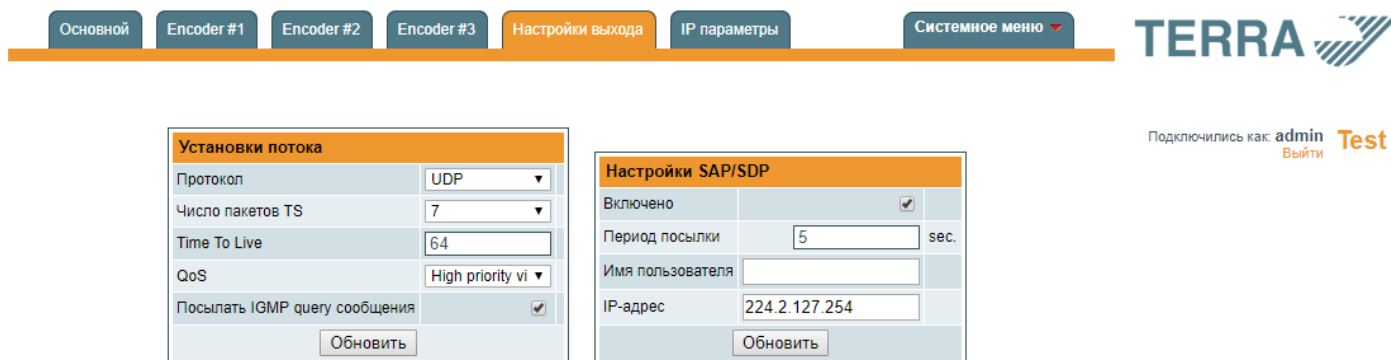


Рис. 11. Таблица "Настройки выхода"

Экран состоит из двух таблиц: "Установка потока", "Настройки SAP/SDP". Таблица "Установка потока" используется для задания общих параметров потоковой передачи, применимых ко всем выходным потокам. Таблица "Настройки SAP/SDP" используется для конфигурирования канала информационной службы на основе протоколов SAP и SDP.

7.4.1. Таблица "Установки потока"

Таблица используется для ввода общих параметров передачи данных, применимых ко всем выходным потокам. В таблице предусмотрены следующие строки параметров:

"Протокол". В списке выпадающего меню предусмотрены два пункта: UDP и RTP/UDP. Транспортный протокол UDP обеспечивает передачу данных без установления соединения и особенно удобен для организации потоковой передачи данных. При выборе пункта RTP/UDP добавляются дополнительные поля данных для обеспечения передачи потока на корректной скорости в реальном масштабе времени.

"Число пакетов TS". Число пакетов транспортного потока MPEG2 в UDP пакете. Может быть задано числом от 1 до 7. Рекомендуется выбрать значение 7 пакетов.

"Time To Live" (Время жизни пакета). Параметр, используемый для ограничения периода передачи потока данных. В поле таблицы допускается вводить значения от 1 до 255. При каждом прохождении пакета IP-потока через очередной маршрутизатор, это значение уменьшается на одну единицу. Пакеты, время жизни которых стало равно 0, не пропускаются через маршрутизаторы.

"QoS" (Качество обслуживания). В списке выпадающего меню предусмотрены пять дифференцированных уровней обслуживания потока. Они определяют степень приоритетности доставки, которую Вы хотите назначить потокам данных на их пути через коммутаторы и маршрутизаторы с поддержкой функции управления качеством обслуживания.

Значения вводимых текстовых параметров качества обслуживания:

- 1 - *Top priority* (Высший приоритет);
- 2 - *High priority video* (Высокий приоритет видеопотока);
- 3 - *Low priority video* (Низкий приоритет видеопотока);
- 4 - *Video and voice* (Видео и аудио);
- 5 - *Best effort* (Максимально доступное качество) - доставка видеоданных и соответствующих аудиоданных с максимально возможным качеством.

"Посылать IGMP query сообщения". Активация функции передачи сообщений с запросами IGMP. Включите эту функцию в случае подключения потокового выхода модуля к управляемому Ethernet коммутатору с поддержкой функции отслеживания IGMP-сообщений. Для обеспечения работы функции отслеживания IGMP-сообщений в сеть должен быть включен групповой маршрутизатор, который генерирует запросы IGMP. Таблицы, созданные для отслеживания, привязываются к генератору запросов. Без генератора запросов невозможно создание таблиц и работа функции отслеживания. При активации данной функции модуль работает как многоадресный маршрутизатор. Достаточно активировать функцию запросов IGMP на одном модуле на каждый коммутатор Ethernet.

После ввода данных в таблице нажмите на кнопку "Обновить" для завершения настройки параметров потоковой передачи данных.

7.4.2. Таблица "Настройки SAP/SDP"

Таблица позволяет выполнять конфигурирование параметров канала передачи анонсов и информации о программах на основе протоколов SAP и SDP. SAP и SDP – два протокола, используемых для создания электронного справочника программ (EPG).

"Включено". Поставьте галочку в поле для активации функции передачи электронного справочника программ.

"Период посылки". Временной интервал в секундах обновления передаваемого справочника программ.

"Имя пользователя". Введенное имя будет передаваться по каналу SAP/SDP.

"IP-адрес". Групповой адрес сообщений SAP/SDP, который необходимо изменить, только если он отличается от адреса, используемого IP-приемником.

7.5. IP параметры

Экран (Рис. 12) состоит из четырех таблиц: "IP параметры интерфейса управления", "IP параметры потокового интерфейса", "Настройки SNMP" и "Настройки электронной почты". Таблицы "IP параметры" используются для настройки параметров сетевого подключения обоих интерфейсов.

IP параметры интерфейса управления	
MAC адрес	00:1C:A3:00:3C:82
IP-адрес	192.168.0.6
Маска подсети	255.255.255.0
Шлюз	192.168.0.2
DNS	8.8.8.8
Обновить	

IP параметры потокового интерфейса	
MAC адрес	00:1C:A3:00:3C:83
IP-адрес	192.168.1.41
Маска подсети	255.255.255.0
Шлюз	192.168.1.1
Разрешить WEB управление через потоковый интерфейс	<input checked="" type="checkbox"/>
Обновить	

Настройки SNMP	
Включить TRAP	<input type="checkbox"/>
Trap community	public
Read community	public
Write community	private
IP-адрес пре3	0.0.0.0
IP-адрес пре3	0.0.0.0
IP-адрес пре3	0.0.0.0
Download MIB file Обновить	

Настройки электронной почты	
Включить отчет об ошибках по электронной почте	<input type="checkbox"/>
Сервер SMTP	192.168.1.1
Порт SMTP	25
Адрес электронной почты отправителя	no_reply@domain.com
Адрес электронной почты получателя	
Использовать авторизацию	<input type="checkbox"/>
Имя пользователя	
Пароль	
Использовать TLS	<input type="checkbox"/>
Время накопления ошибок в минутах	5
Отправить тестовое сообщение Обновить	

Рис. 12. Экран "IP параметры"

7.5.1. IP параметры управления и потокового интерфейсов

Описание таблицы строк "IP параметры".

"MAC адрес" - физический адрес карты модуля Ethernet сети отображается автоматически.

"IP-адрес" - введите IP адрес, который хотите присвоить модулю. Этот адрес должен находиться в пределах локальных сетевых адресов.

"Маска подсети" - введите маску локальной сети.

"Шлюз" - введите IP адрес этого шлюза. Эта информация требуется только, для доступа модуля из Интернета.

"DNS" - адрес сервера доменных имен.

Модуль можно управлять и через потоковый интерфейс. Для включения этой функции, поставьте галочку на кнопке-флажке "Разрешить WEB управление через потоковый интерфейс". **Внимание!** во избежании безопасности, управление WEB из потокового интерфейса должно быть отключено.

Внимание! Нажмите кнопку "RESET" [7] более трех секунд, чтобы установить IP адрес по умолчанию интерфейса Ethernet управления (см. Рис. 1. "Внешний вид кодера").

7.5.2. Таблица "Настройки SNMP"

Описание строк таблицы "Настройки SNMP":

"Включить TRAP": ловушки SNMP - сообщения о наступлении каких-либо критических событий, генерируемых агентами на управляемом устройстве. Поставьте галочку в данном поле для включения функции генерации ловушек. Кодер генерирует ловушки в случае появления диагностического сообщения..

"Read community" (Доступ в режиме чтения) - имя сообщества, используемое в качестве пароля, который совместно используется несколькими SNMP-агентами и одним или несколькими SNMP-менеджерами. Данный пароль используется только для доступа в режиме чтения к параметрам кодера.

"Write Community" (Доступ в режиме записи) - пароль, используемый для доступа в режиме чтения/записи к параметрам кодера.

"TRAP Community" (Доступ к ловушкам) - пароль, используемый для доступа к ловушкам.

"Trap IP address 1-3" - IP-адреса хостов с SNMP-менеджерами, куда будут отправляться сообщения SNMP.

7.5.3. Таблица "Настройки электронной почты"

Если обнаружены ошибки, устройство может высылать сообщения на эл. почту. Для этого используется протокол SMTP. Таблица "Настройки электронной почты" приводит связанные с этой функцией параметры. Поставив флажок "Включить отчет об ошибках по электронной почте", включается контроль ошибок. Все ошибки за период простоя собираются и высылаются на адрес эл. почты, указанный в поле ввода "Адрес электронной почты получателя". Для рассылки эл. письма нескольким адресатам адреса эл. почты необходимо отделить запятыми. С момента обнаружения первой ошибки запускается таймер, он останавливается, когда эл. письмо отправлено. Таймер повторно запускается, если обнаружена новая ошибка.

"Адрес электронной почты отправителя" может быть использован в качестве механизма аутентификации со стороны сервера SMTP. Протокол SSL (SMTPS) не поддерживается.

7.6. Системное меню

В этой вкладке меню содержатся следующие пункты подменю: "Протоколы событий", "Экспортировать параметры", "Импортировать параметры", "Обновление прошивки", "Управление пользователями", "Восстановить настройки производителя", "Перезагрузить устройство", "Дата, Время", "Язык". Наведите мышку, чтобы просмотреть список этого подменю.

7.6.1. "Журнал событий"

Различные важные события, ошибки, предупреждения будут введены в систему, Рис. 13 "Журнал событий". Каждой записи присвоен тип события для фильтрации определенных сообщений. Отметьте флажки в таблице „Фильтрация событий“ и нажмите „Применить“. Другие сообщения будут скрыты.

Кнопка „Стереть журнал“ позволит стереть все записи из системы.

Кнопка “Экспортировать журнал” составит файл (log.html), который скачается на ПК.

У каждой записи есть время, когда произошло событие. Инструкции, как сконфигурировать временные настройки см. в разделе 7.6.8 "Настройки даты и времени".

Дата/Время		Тип события	Описание события
2018-09-13	13:09:00	Событие	Пользователь admin подключился
2018-09-13	13:08:50	Событие	Потоковый ETH интерфейс активен: 100Base-TX full-duplex
2018-09-13	13:08:48	Событие	Произошла программная перезагрузка
2018-09-13	13:08:48	Событие	ETH интерфейс управления активен: 100Base-TX full-duplex
2018-09-13	13:08:40	Событие	Restarting
2018-09-13	12:52:37	Событие	User admin logged in
2018-09-13	12:52:29	Событие	Streaming ETH interface link up: 100Base-TX full-duplex
2018-09-13	12:52:26	Событие	Control ETH interface link up: 100Base-TX full-duplex
2018-09-13	12:52:26	Событие	Software restart occurred
2018-09-13	12:52:19	Событие	Перезапускается

Экспортировать журнал Стереть журнал

Страница 1 Страница 2 Страница 3 Страница 4 Страница 5 ... Страница 13 Страница 14 Страница 15 Страница 16

Рис. 13. "Журнал событий"

7.6.2. "Экспортировать параметры"

Все настройки трансмодулятора можно экспортировать для резервного копирования в другое устройство. Нажмите "Экспортировать Параметры", файл "parameters.xml" скачается на ПК. Этот файл можно импортировать только на устройство такого же типа.

7.6.3. "Импортировать параметры"

Экспортированные параметры можно импортировать обратно в устройство. Нажмите кнопку "Нажмите, чтобы выбрать файл" (см. Рис. 14 "Импортировать параметры"), чтобы выбрать экспортированный файл.

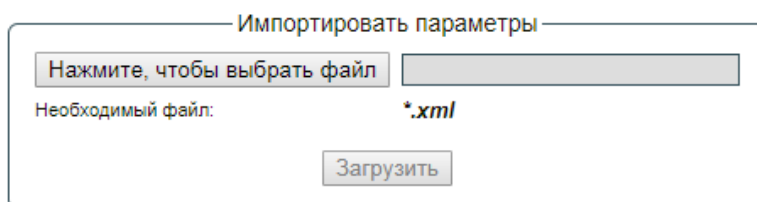


Рис. 14. Импорт параметров

Нажмите кнопку "Загрузить", чтобы отправить файл в устройство. После загрузки файла обновление всех параметров займет несколько секунд. Затем устройство будет функционировать в новой конфигурации. Перезапуск не требуется.

7.6.4. "Обновление прошивки"

Обновить программное обеспечение устройства можно через веб-браузер. Нажмите кнопку "Нажмите, чтобы выбрать файл" и выберите двоичный файл программного обеспечения. Если выбран нужный файл, выведется номер версии нового программного обеспечения. В противном случае, появится сообщение об ошибке. Нажмите кнопку "Загрузить", чтобы загрузить новое программное обеспечение в устройство. Появится индикатор выполнения загрузки, загрузка может занять несколько секунд в зависимости от размера файла и скорости сетевого подключения. Появится сообщение, запрашивающее разрешение перезапустить устройство, когда файл был выслан в устройство. Новое программное обеспечение будет запрограммировано в устройстве только после его перезапуска. Для установки новой программы может потребоваться некоторое время. Устройство запустится с новым программным обеспечением и продолжит работу с предыдущими параметрами. Возможно дополнительные функции нового программного обеспечения (если есть) необходимо настроить отдельно, чтобы они заработали.

Избегайте прерывания источника питания во время процесса программирования.

В устройстве имеется возможность загрузить историю изменения программного обеспечения и проверить доступность новой версии. Нажмите на ссылку "Проверьте онлайн нет ли новой прошивки". Если компьютер (не устройство!) подключен к интернету, появится список всех версий программного обеспечения с ссылками на двоичные файлы. Двоичный файл можно скачать и сохранить на компьютер (см. Рис. 15 "Окно обновления программного обеспечения"). Затем следуйте методу обновления программного обеспечения как описано выше.

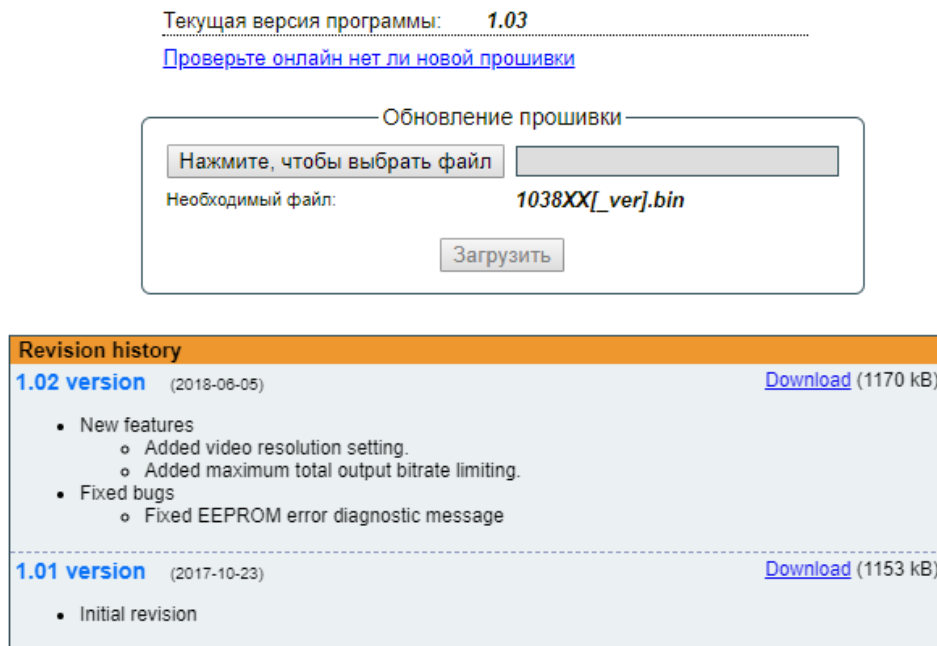


Рис. 15. Окно обновления программного обеспечения

7.6.5. "Управление пользователями"

Здесь пользователь может изменить пароль. Длина пароля до 16 символов. Введите текущий пароль и дважды введите новый пароль, чтобы его изменить.

Если у подключившегося пользователя есть право администратора, здесь можно добавить новых пользователей (см. Рис. 16 "Управление пользователями").

The image shows two screenshots of a web interface. The left screenshot is titled "Изменение пароля" (Change Password) and contains the following fields: "Имя пользователя:" with the value "admin", "Текущий пароль:" (empty), "Новый пароль:" (empty), and "Повторите новый пароль:" (empty). There is an "Изменить" (Change) button at the bottom. The right screenshot is titled "Управление пользователями" (User Management) and contains the following fields: "Имя пользователя:" (empty), "Пароль:" (empty), "Роль:" with a dropdown menu showing "Пользователи", and a "Добавить" (Add) button.

Рис. 16. Окно "Управление пользователями"

Введите его имя пользователя, пароль, выберите роль и нажмите кнопку „Добавить“.

Только администратор (пользователь с ролью „admin“) может управлять другими пользователями.

Замечание: Если вы даете ваш личный пароль или пользовательский доступ другому лицу, вы являетесь полностью ответственным за все изменения настроек модуля, выполненные таким лицом или кем-либо, кому мог быть передан пароль.

7.6.6. "Восстановить настройки производителя"

После подтверждения, все параметры будут восстановлены на заводские настройки по умолчанию. Исключение - IP адрес и пользователи - эти параметры остаются неизменными. Чтобы восстановить IP адрес и системный пароль к значениям, устанавливаемым системой по умолчанию, см. описание кнопки „RESET“ (Сброс).

Будьте терпеливы, восстановление всех параметров может занять несколько секунд.

7.6.7. "Перезагрузить устройство"

Устройство перезапустится после подтверждения. Также можно нажать на кнопку „RESET“ (Сброс) во время работы устройства.

7.6.8. "Дата, Время"

Системное время может быть сконфигурировано вручную или взято с NTP сервера (только если модуль может получить доступ к NTP серверу).

The image shows a table with the title "Дата, Время" (Date, Time). The table has the following rows: "Системное время" (System time) with the value "2018-09-14, 12:38:07"; "Часовой пояс" (Time zone) with a dropdown menu showing "GMT +2"; "Источник времени" (Time source) with three radio buttons: "сервер NTP" (selected), "Ручная настройка" (Manual setting), and "Время от ТП" (Time from TP); "сервер NTP" (NTP server) with a text input field containing "pool.ntp.org". There is an "Обновить" (Update) button at the bottom.


Рис. 17. Таблица настроек "Дата, Время"

7.6.9. Язык

Контрольная панель устройства поддерживает несколько заранее установленных языков. Чтобы изменить язык, необходимо перезапустить устройство. Помните, что все ранее введенные записи останутся на том языке, на котором они были введены.

По просьбе можно установить дополнительные языки. Для этого свяжитесь с нашими агентами по продаже.

ТРЕБОВАНИЯ К ВНЕШНЕМУ ИСТОЧНИКУ ПИТАНИЯ

- Выходное напряжение 12 V ± 0.5 V ПТ
- Пульсации на основной и/или двойной частоте сети питания < 10 mV p-p
- Пульсации и шум < 100 mV p-p
- Защита от короткого замыкания
- Двойная изоляция (маркированный )
- Помехи в сеть соответствуют EN 55022 класс В, измеряя при включенном заземлении

Технические характеристики

Тип		mhi430
Вход видео	тип входного сигнала	HDMI
	видео кодирование	MPEG-4 AVC/H.264, Baseline profile 4.0
	разрешение на входе	до 1920x1080-60p
	разрешение на выходе	до 1920x1080-30p
Вход аудио	тип входного сигнала	HDMI
	стандарт	MPEG-1 Layer II, AAC
	скорость потока аудио	64, 96, 128, 192, 256, 320, 384 kbps
H.264 кодер	стандарт	MPEG-4 AVC/H.264
	скорость потока	0.5-25 Mb/s регулируемый
	настраиваемые параметры	Service Name, Service ID, Video PID, Audio PID, PMT PID, PCR PID
IP выход	стандарт	IEEE802.3 10/100 Base T
	скорость потока	до 100 Mbps
	протоколы передачи	UDP/RTP
	multicast	Yes
	MPTS	No
	SPTS	Yes
Напряжение питания		12 V ± 1 V
Потребление тока		700 mA макс.
Диапазон рабочих температур		0°C ÷ +50°C
Габариты/Вес (в упаковке)		48.5x198x112 mm/0.9 kg

Гарантия 12 месяцев с даты продажи.

Дата продажи:

Серийный номер:

М.П.